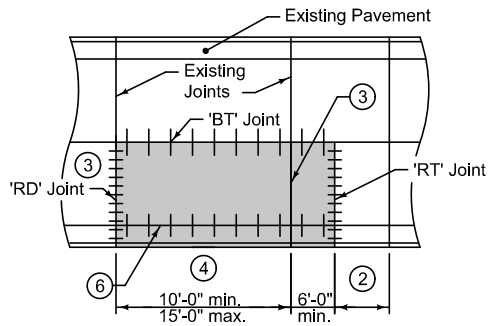
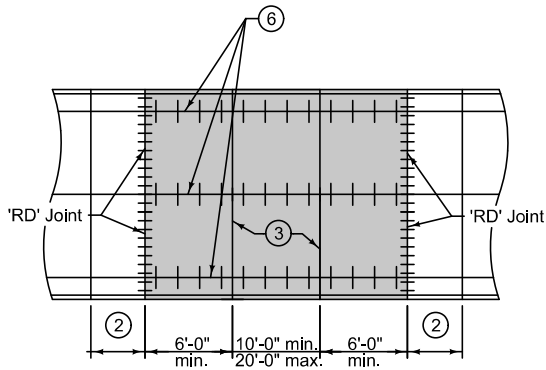


GUTTERLINE JOINTING

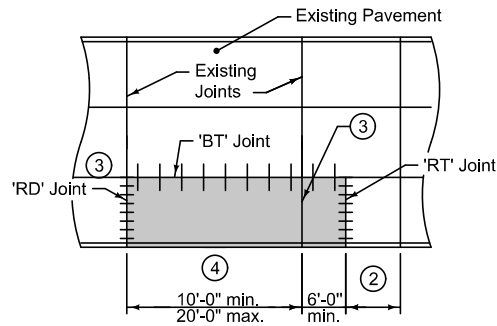


ONE PANEL WIDTH PATCH

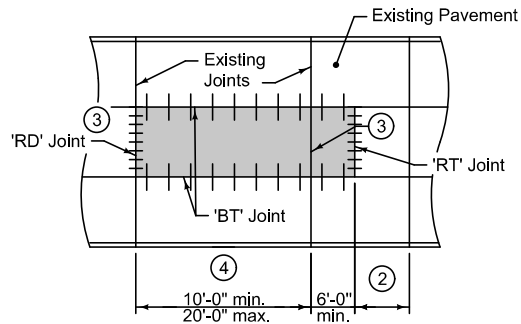


FULL ROADWAY WIDTH PATCH

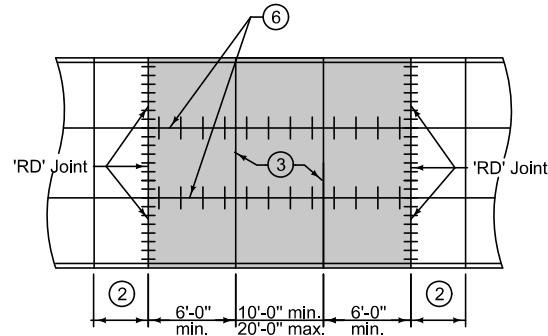
THIRD POINT JOINTING ①



OUTSIDE PANEL PATCH



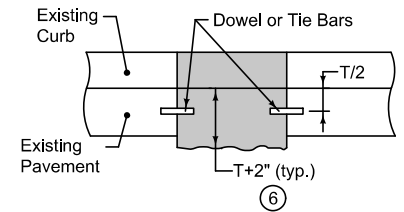
CENTER PANEL PATCH




FULL ROADWAY WIDTH PATCH

- ① Patches on roadways with quarter point jointing will be similar to third point jointing details.
- ② Minimum distance between existing joint and patch is 6 feet. If distance is less than 6 feet, extend patch to existing joint.
- ③ Match existing joint type and locations. If specified, replace existing 'C' joints with 'CD' joints.
- ④ If existing joint spacing is greater than 20 feet, add a 'CT' joint at mid-panel.
- ⑤ If subgrade or subbase material is required below patch, bring material to a level 2 inches below bottom of existing pavement.
- ⑥ BT, KT, or L joint depending on pavement thickness and pouring sequence

LONGITUDINAL SECTION THRU PCC PATCH



	REVISION 5 2022 Edition
	SUDAS 7040.102
	SHEET 1 of 1
SUDAS Standard Specifications	
FULL DEPTH PATCHES GREATER THAN 15' LONG	