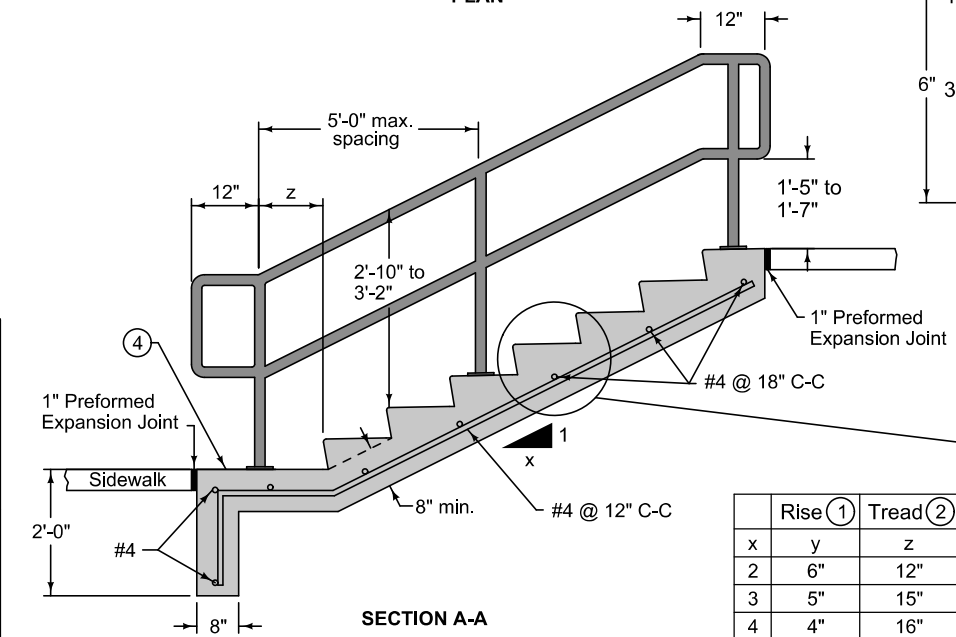
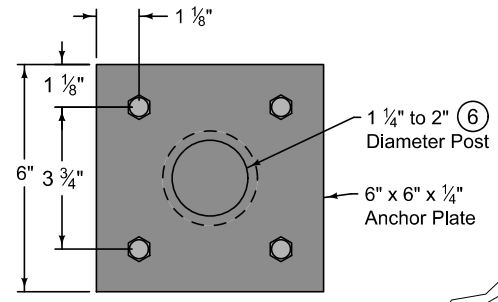


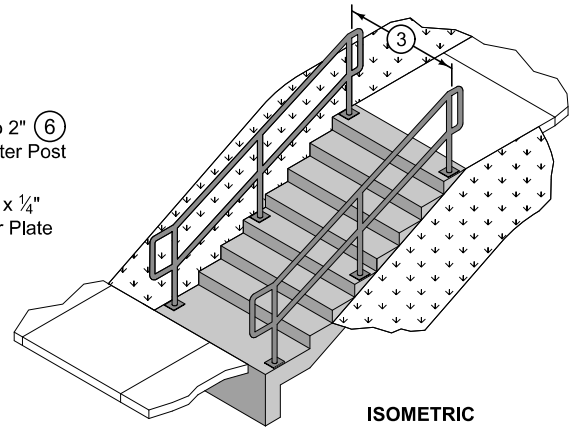
PLAN



SECTION A-A



ANCHOR PLATE DETAIL



ISOMETRIC

Provide a minimum of 2 inches of cover for all reinforcing.

Ensure all risers are an equal height and all treads are an equal depth within a flight of stairs.

- ① Minimum riser height is 4 inches. Maximum riser height is 7 inches.
- ② Minimum tread depth is 11 inches.
- ③ Match existing sidewalk width.
- ④ Construct cross slope of landing to match adjacent sidewalk.
- ⑤ Slope tread 1% minimum to 2% maximum in any direction.
- ⑥ Weld post to anchor plate with 1/4 inch weld. Grind weld to provide smooth surface, free of burrs.

	Rise ①	Tread ②
x	y	z
2	6"	12"
3	5"	15"
4	4"	16"

FIGURE 9080.101 SHEET 1 OF 1

SUDAS

9080.101

SHEET 1 of 1

REVISION	
2	10-16-18

SUDAS Standard Specifications

TYPE A CONCRETE STEPS WITH HANDRAIL