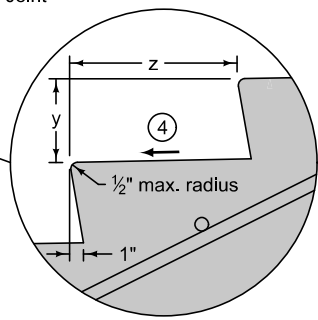


	Rise ①	Tread ②
x	y	z
2	6"	12"
3	5"	15"
4	4"	16"



Provide a minimum of 2 inches of cover for all reinforcing.

Ensure all risers are an equal height and all treads are an equal depth within a flight of stairs.

- ① Minimum riser height is 4 inches. Maximum riser height is 7 inches.
- ② Minimum tread depth is 11 inches.
- ③ Construct cross slope of landing to match adjacent sidewalk.
- ④ Slope tread 1% minimum to 2% maximum in any direction.
- ⑤ Match existing sidewalk width.

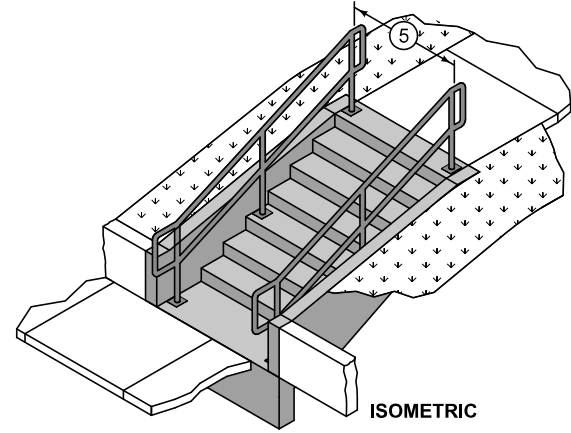
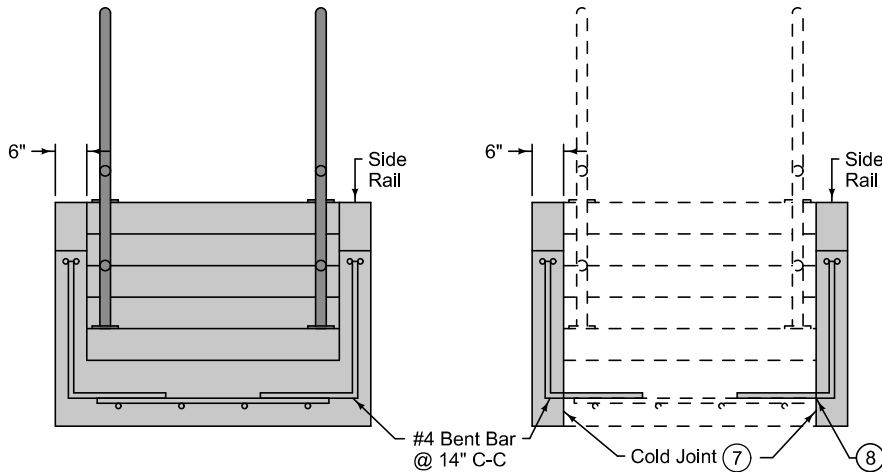


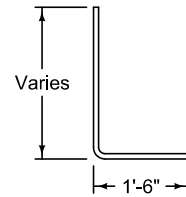
FIGURE 9080.102 SHEET 1 OF 2

	SUDAS	9080.102
	<small>REVISION</small> 1 2022 Edition <small>SHEET 1 of 2</small>	
SUDAS Standard Specifications		
TYPE B CONCRETE STEPS WITH HANDRAIL		



SECTION B-B
(Side Rails and Stairs Formed and Constructed Monolithically)

ALTERNATE SECTION B-B
(Side Rails and Stairs Formed and Constructed Separately)

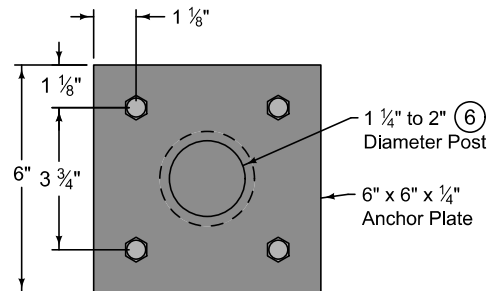


BENT BAR

Provide a minimum of 2 inches of cover for all reinforcing.

Ensure all risers are an equal height and all treads are an equal depth within a flight of stairs.

- (6) Weld post to anchor plate with 1/4 inch weld. Grind weld to provide smooth surface, free of burrs.
- (7) Upon approval of Engineer, side rails may be formed and constructed separately from the stairs. Seal the cold joint between the side rail and stairs according to Section 7010.
- (8) If side rails and stairs are constructed separately, dowel bar substitutes may be used for the bent bars connections between the side rails and the stairs.



ANCHOR PLATE DETAIL

	REVISION	
	1	2022 Edition
	9080.102	
SHEET 2 of 2		

SUDAS Standard Specifications

**TYPE B CONCRETE STEPS
WITH HANDRAIL**