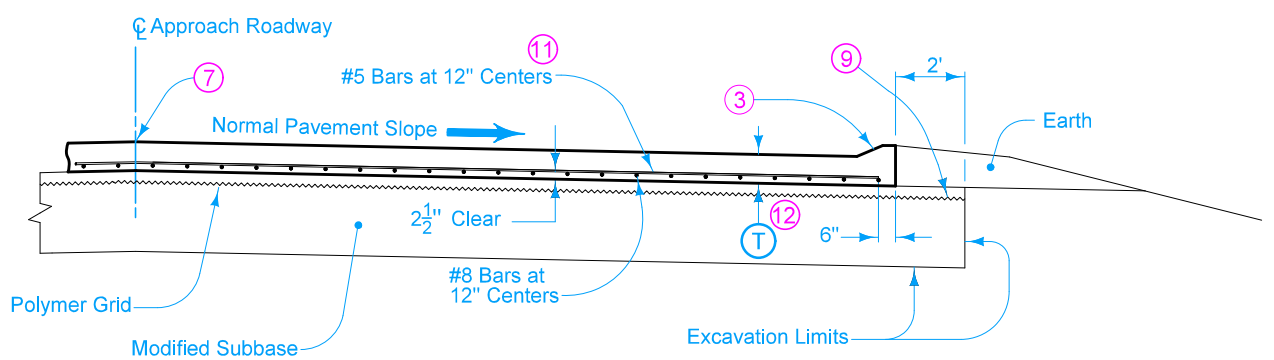
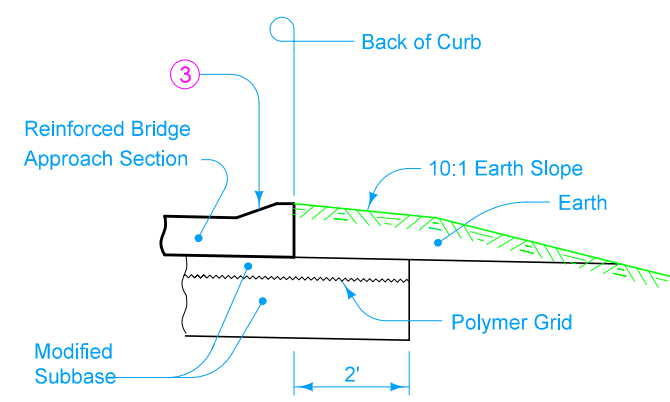


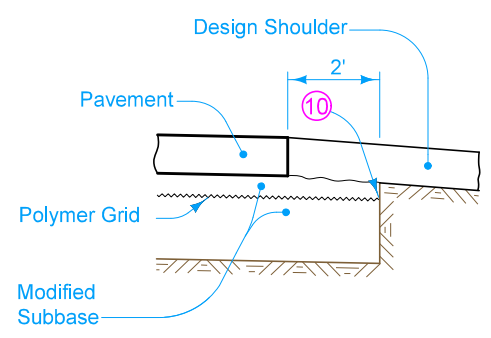
Sections and details apply to Standard Road Plans [BR-112](#) and [BR-102 through BR-107](#).



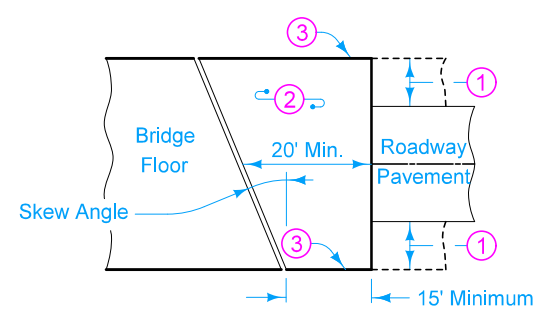
SECTION A-A



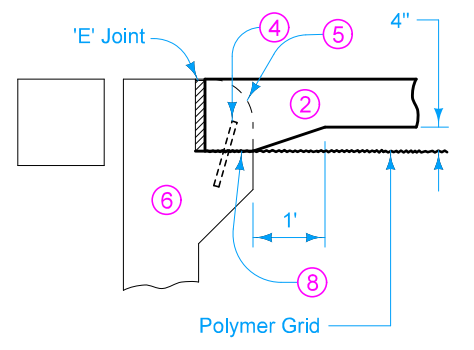
SECTION B-B



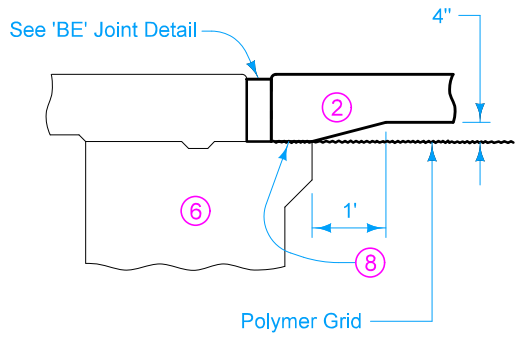
SECTION C-C



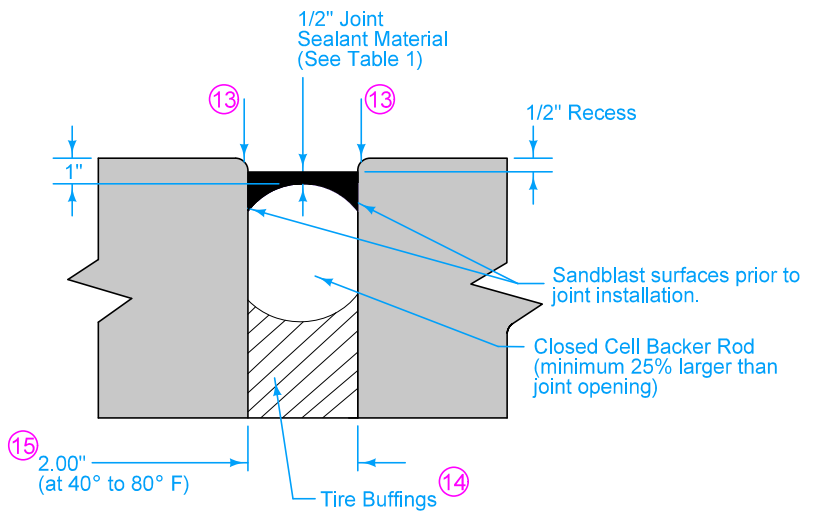
TWO LANE APPROACH PAVEMENT LAYOUT AT A SKEW



DETAIL 'A'  
Fixed Abutment Bridge



DETAIL 'A'  
Movable Abutment Bridge



'BE' JOINT DETAIL

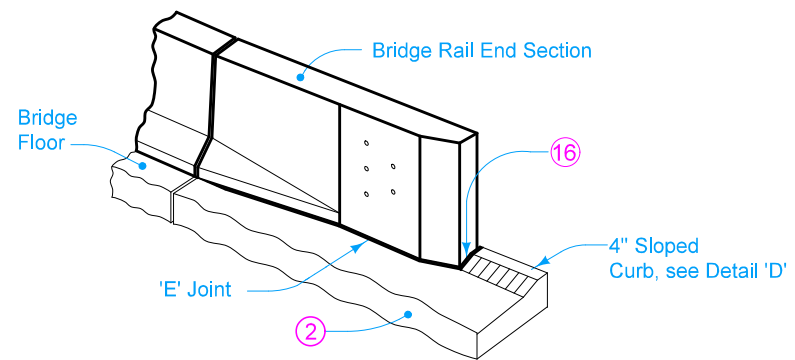
- ① Design Shoulder width.
- ② Reinforced Bridge Approach Section.
- ③ Build curb. See Detail 'C'. Refer to PV-102 for runout details.
- ④ Reinforcing Bar.
- ⑤ Temporary paving block removed by paving contractor.
- ⑥ Bridge Abutment.
- ⑦ Longitudinal Joint (PV-101):  
Single pour - Saw cut joint per Detail B.  
Two pours - Use 'KS-1' joint.
- ⑧ Secure polymer grid on top of paving notch.
- ⑨ Extend polymer grid to 2 feet outside edge of pavement.
- ⑩ Trim fabric to edge of excavation.
- ⑪ If bridge is skewed, place additional #5 bar parallel to skewed face.
- ⑫ T = 10 inches.
- ⑬ Edge with 1/4 inch tool for length of joint indicated if formed; edging not required when cut with diamond blade saw.
- ⑭ Compact tire buffings by spading with a square-nose shovel. Tire buffings shall not be larger than 1/2 inch.
- ⑮ Setting Width Notes:
  - Width is perpendicular to abutment.
  - Temperature of concrete deck on the underside or shaded portion of the deck shall be between 40 to 80 degrees Fahrenheit when placing approach slab concrete.
  - This 'BE' joint and the setting temperatures may be used for all concrete beam or slab bridges up to 575' in length and for all steel girder bridges up to 400' in length.

Possible Contract Item:  
 Bridge Approach, Two Lane  
 Longitudinal Grooving in Concrete, Bridge Deck  
 Longitudinal Grooving in Concrete, Pavement

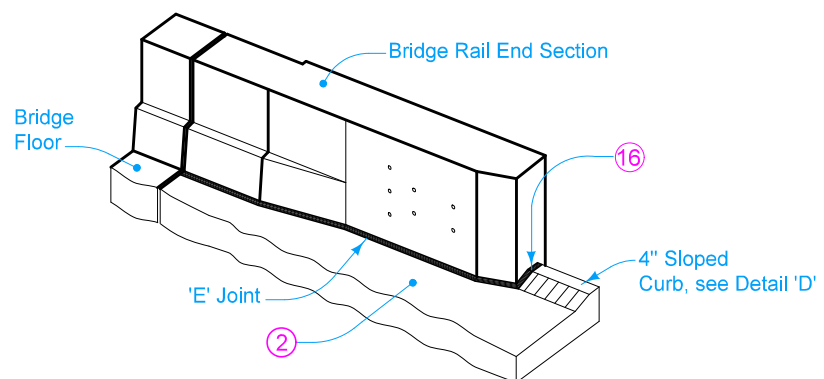
Possible Tabulation:  
 112-6

Table 1
Approved List of Sealant
Dow - Dowsil 902 RCS
Sika - Sikasil 728 RCS
Watson Bowman Acme - Wabo SiliconeSeal
Pecora - 322FC

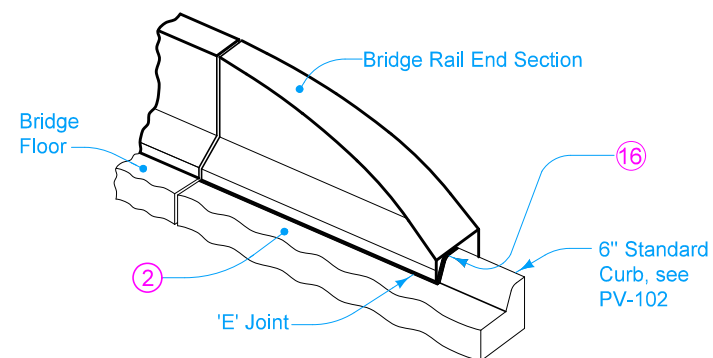
 <b>STANDARD ROAD PLAN</b>	REVISION 2   10-15-24
	BR-101
SHEET 1 of 2	
REVISIONS: Added Longitudinal Grooving in Concrete to possible contract item. Added 'BE' joint detail.	
 APPROVED BY DESIGN METHODS ENGINEER	
BRIDGE APPROACH SECTION (GENERAL DETAILS)	



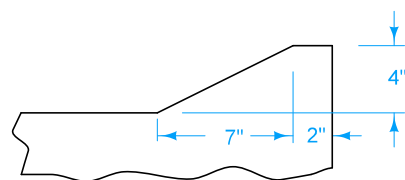
DETAIL 'C'  
Five Hole Bridge Rail End Section



DETAIL 'C'  
Retrofit Bridge Rail End Section



DETAIL 'C'  
Low Speed Bridge Rail End Section



DETAIL 'D'  
4" Sloped Curb

CURB ALIGNMENT AND  
JOINT PLACEMENT

- ② Reinforced Bridge Approach Section.
- ①⑥ Joint at end of Bridge Rail End Section: Place joint filler the full depth of the bridge approach pavement. In areas with curb, place full depth of pavement plus curb and shape material to fit the shape of the curb per Section B-B of PV-101. Seal joint per Detail F of PV-101.

- Fixed Abutment Bridges: Type 'E' Joint.
- Moveable Abutment Bridges: Flexible Foam Expansion Joint Filler complying with Section 4136 of the Standard Specifications. Set width of gap to 2 inches. Joint length as required to completely fill from back side of curb to front face of bridge wing.

	REVISION	
	2	10-15-24
STANDARD ROAD PLAN		BR-101
		SHEET 2 of 2
REVISIONS: Added Longitudinal Grooving in Concrete to possible contract item. Added 'BE' joint detail.		
APPROVED BY DESIGN METHODS ENGINEER		
BRIDGE APPROACH SECTION (GENERAL DETAILS)		