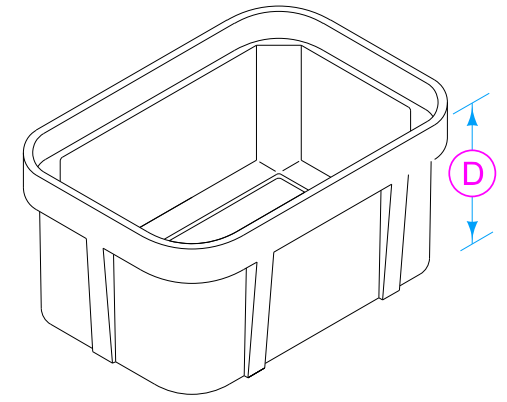
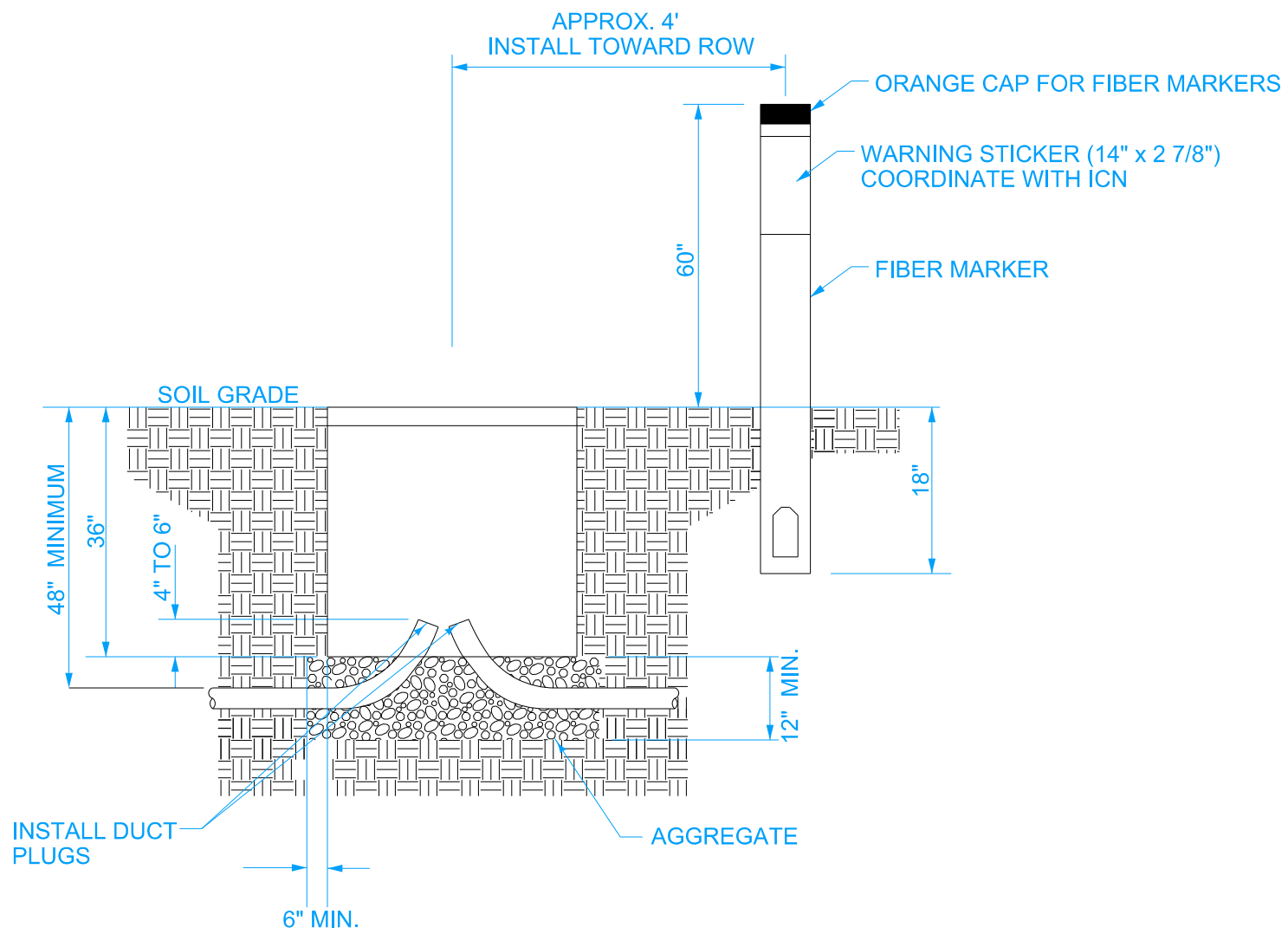


HANDHOLE DIMENSIONS TABLE (NOMINAL)			
TYPE	L	W	D
ITS 30x17x24	30"	17"	24"
ITS 36x24x36	36"	24"	36"
ITS 48x30x36	48"	30"	36"



ITS HANDHOLES

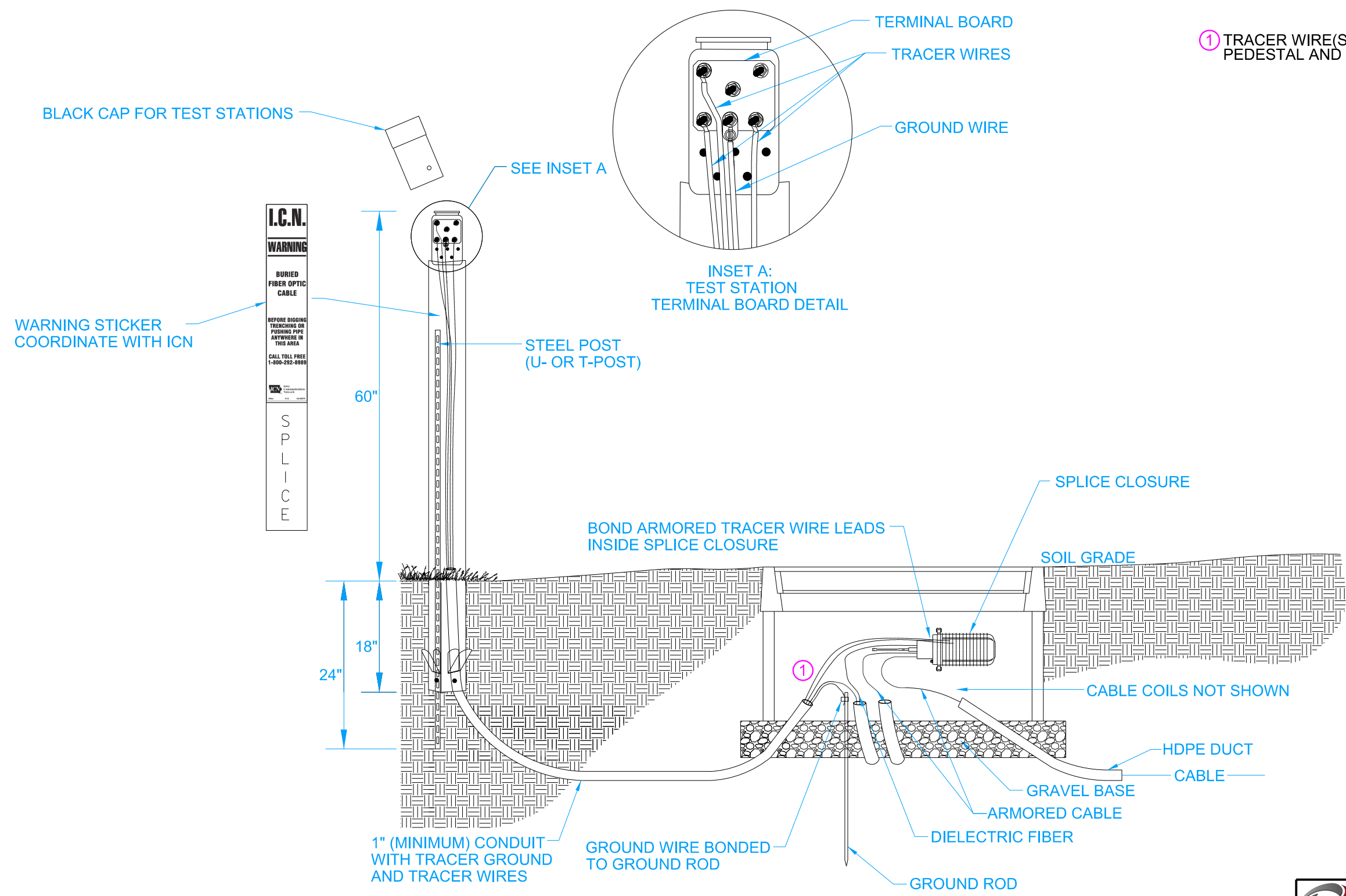
ITS 36x24x36 HANDHOLE WITH FIBER MARKER

	REVISION
	New 04-18-2023
<b>STANDARD ITS PLAN</b>	<b>ITS-101</b>
REVISIONS: New.	SHEET 1 of 3

*Mark Van Dyke*  
APPROVED BY STATE ITS ENGINEER

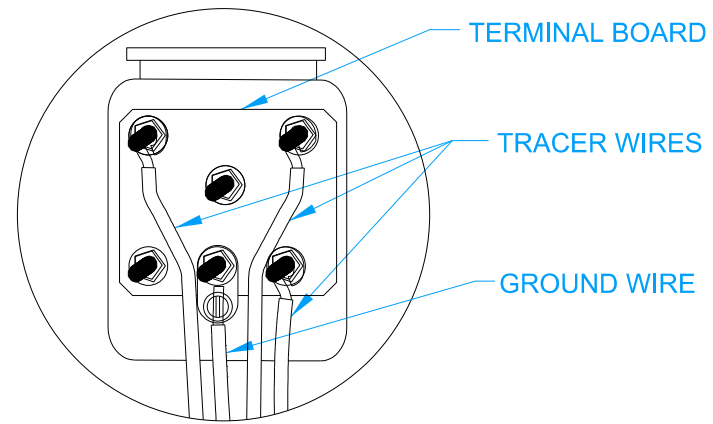
ITS HANDHOLES

① TRACER WIRE(S) TO BE ROUTED VIA DUCT TO LOCATE PEDESTAL AND TERMINATED AT TERMINAL BOARD



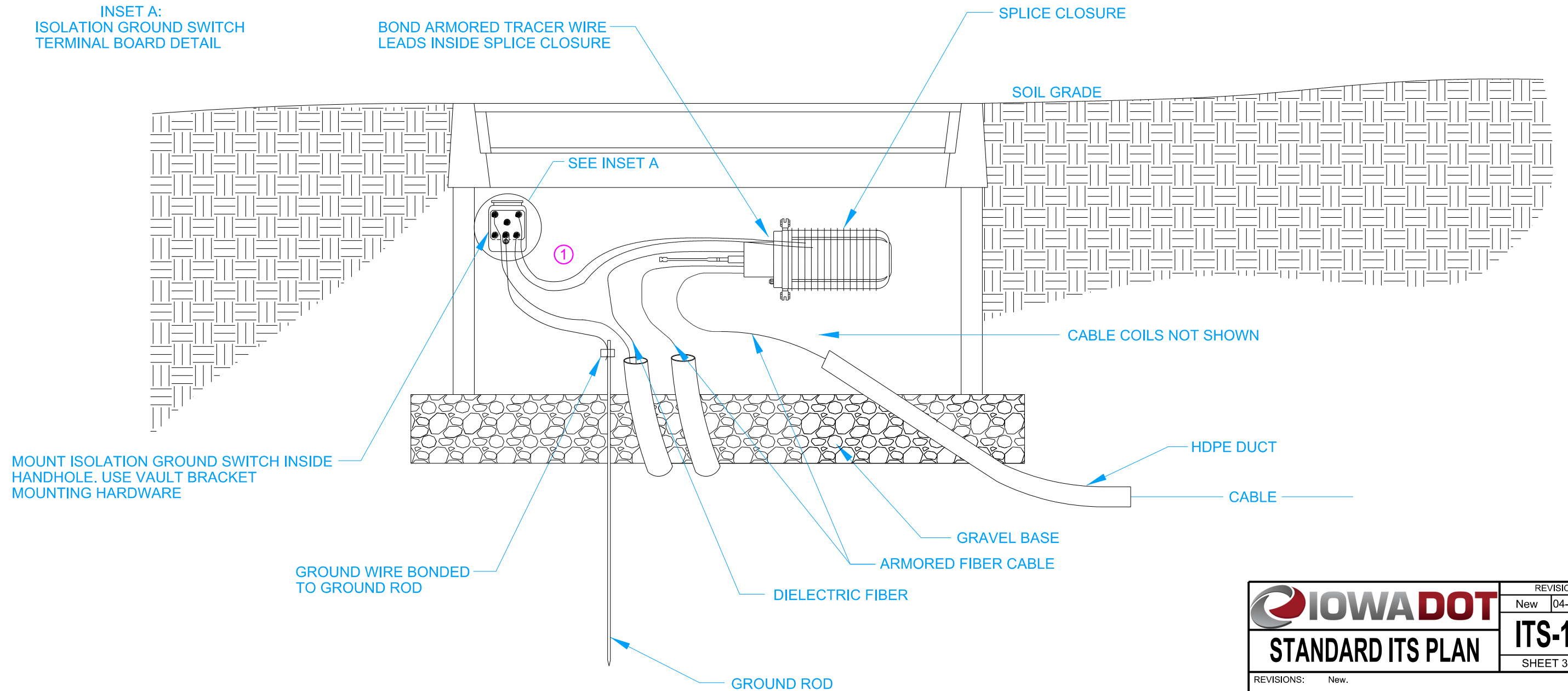
TEST STATION WITH SPLICE CLOSURE GROUND KIT

	REVISION
	New 04-18-2023
STANDARD ITS PLAN	ITS-101
REVISIONS: New.	SHEET 2 of 3
 APPROVED BY STATE ITS ENGINEER	
<b>ITS HANDHOLES</b>	



INSET A:  
ISOLATION GROUND SWITCH  
TERMINAL BOARD DETAIL

① TRACER WIRE(S) TO BE ROUTED TO TERMINAL BOARD AND TERMINATED



ISOLATION GROUND SWITCH WITH SPLICE CLOSURE

	REVISION
	New 04-18-2023
<b>STANDARD ITS PLAN</b>	<b>ITS-101</b>
REVISIONS: New.	SHEET 3 of 3
 APPROVED BY STATE ITS ENGINEER	

ITS HANDHOLES