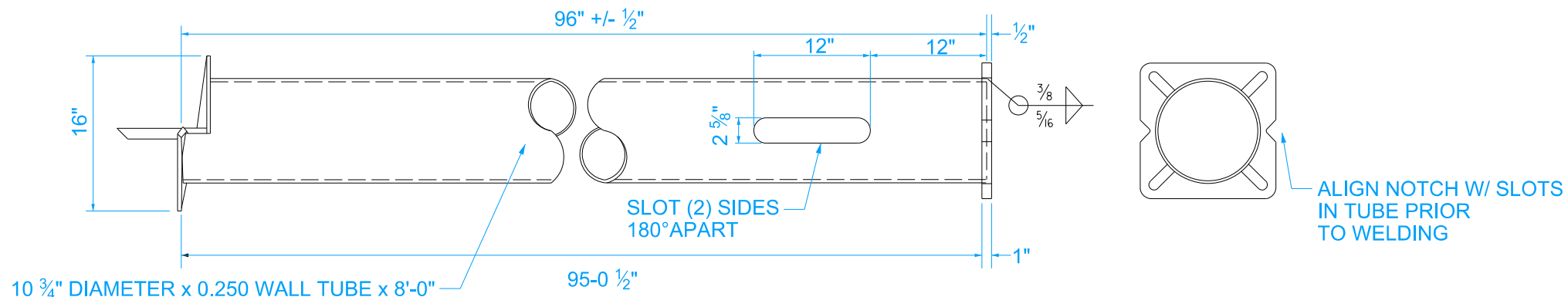
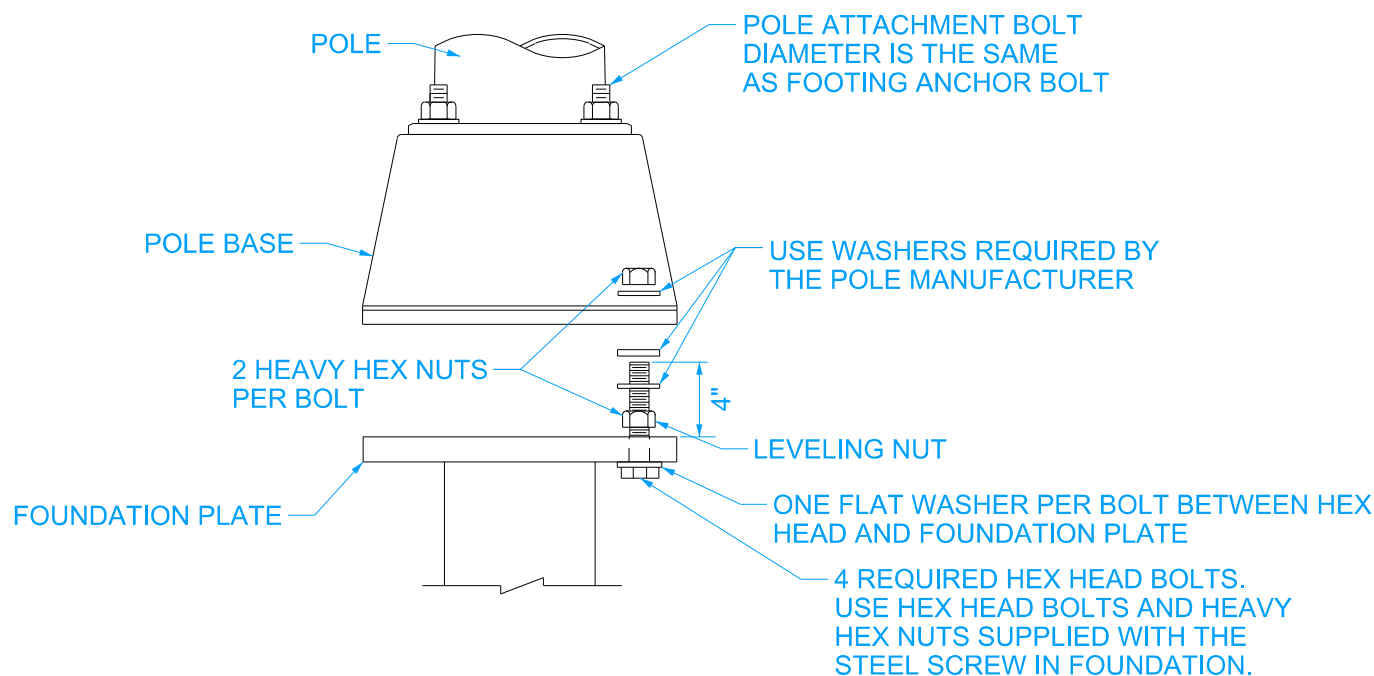


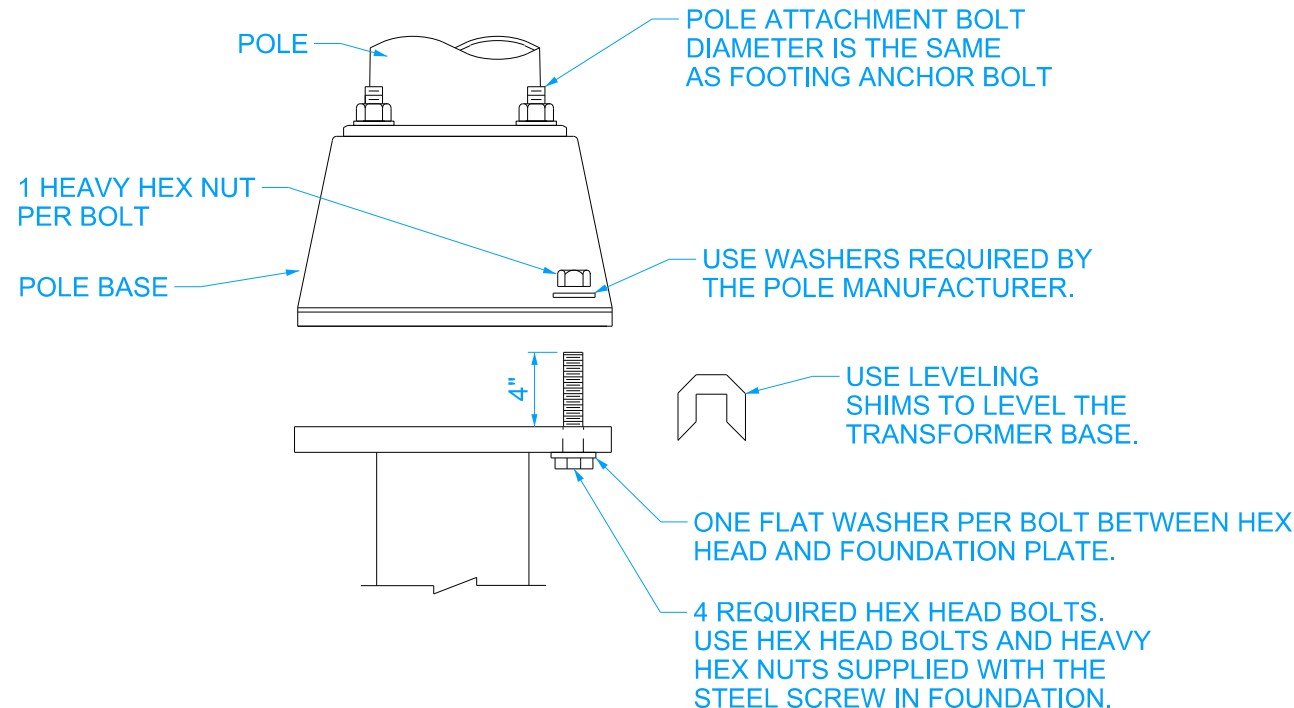
FOUNDATION PLAN VIEW



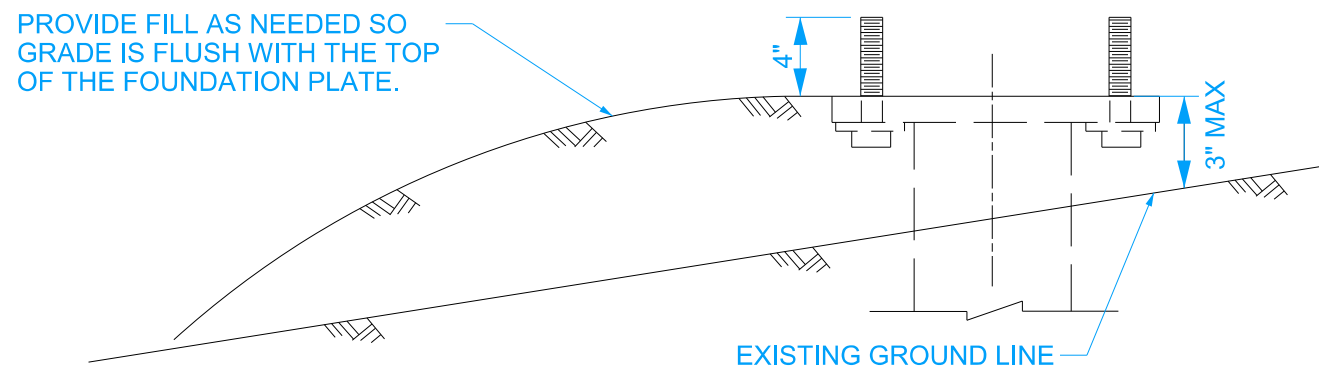
STEEL SCREW IN FOUNDATION



LEVELING NUT ANCHOR ROD CONNECTION



SHIM NUT ANCHOR ROD CONNECTION



GRADING ON ROADSIDE SLOPE

	REVISION
	New 04-18-2023
STANDARD ITS PLAN	ITS-201
REVISIONS: New.	SHEET 1 of 1
 APPROVED BY STATE ITS ENGINEER	
ITS POWER INSTALLED FOUNDATION	