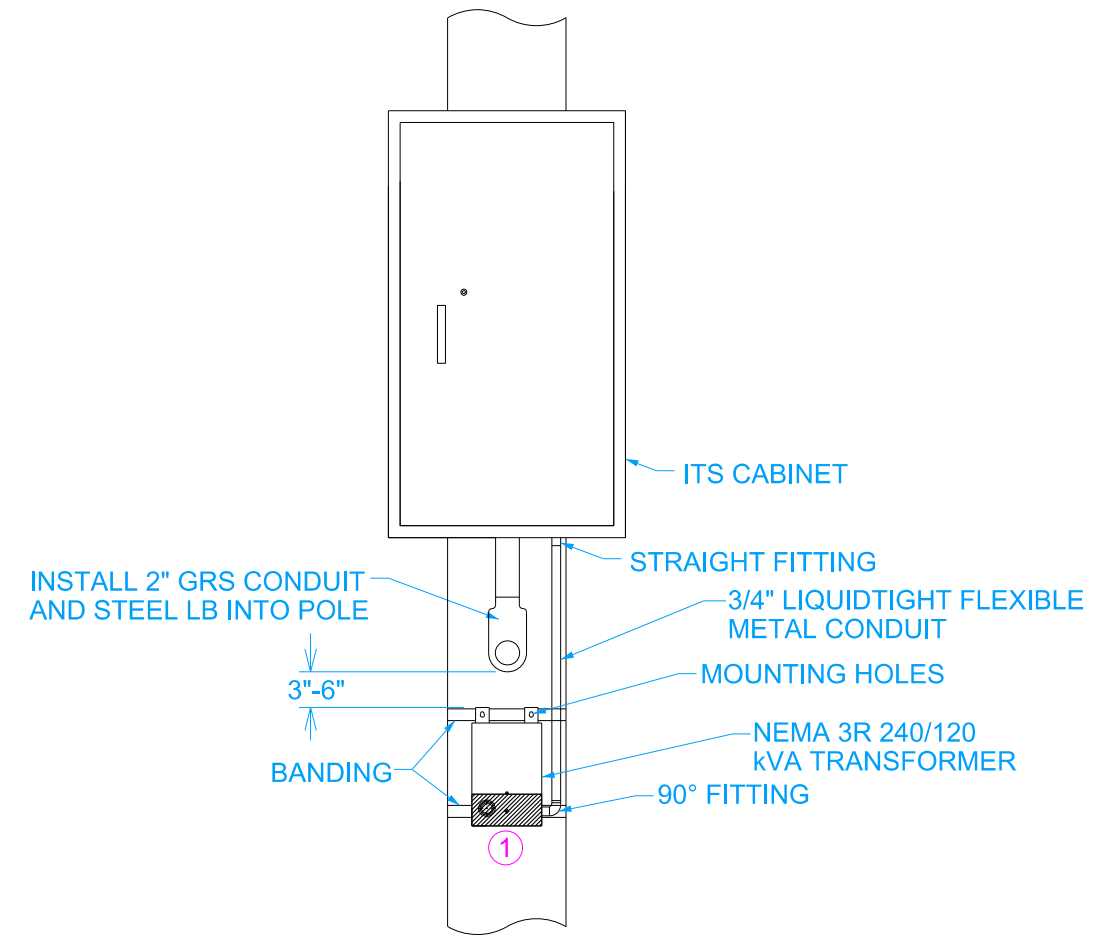
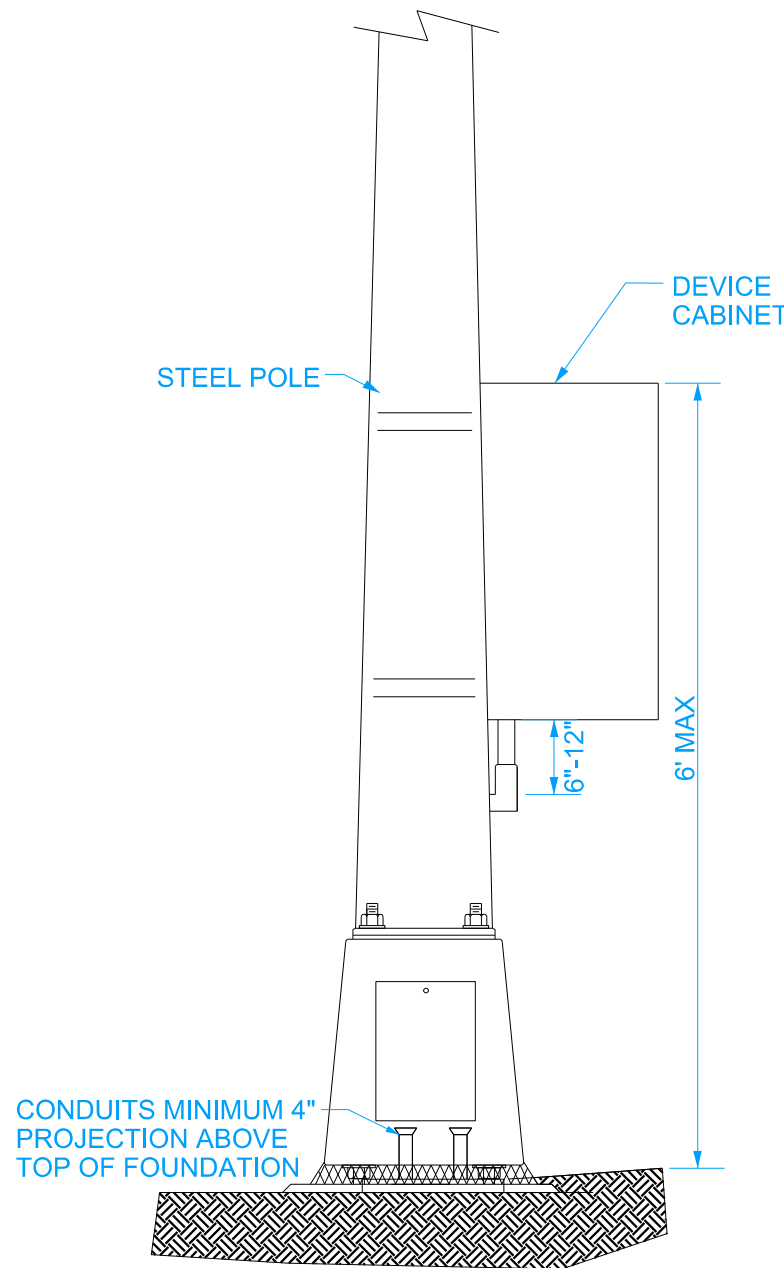
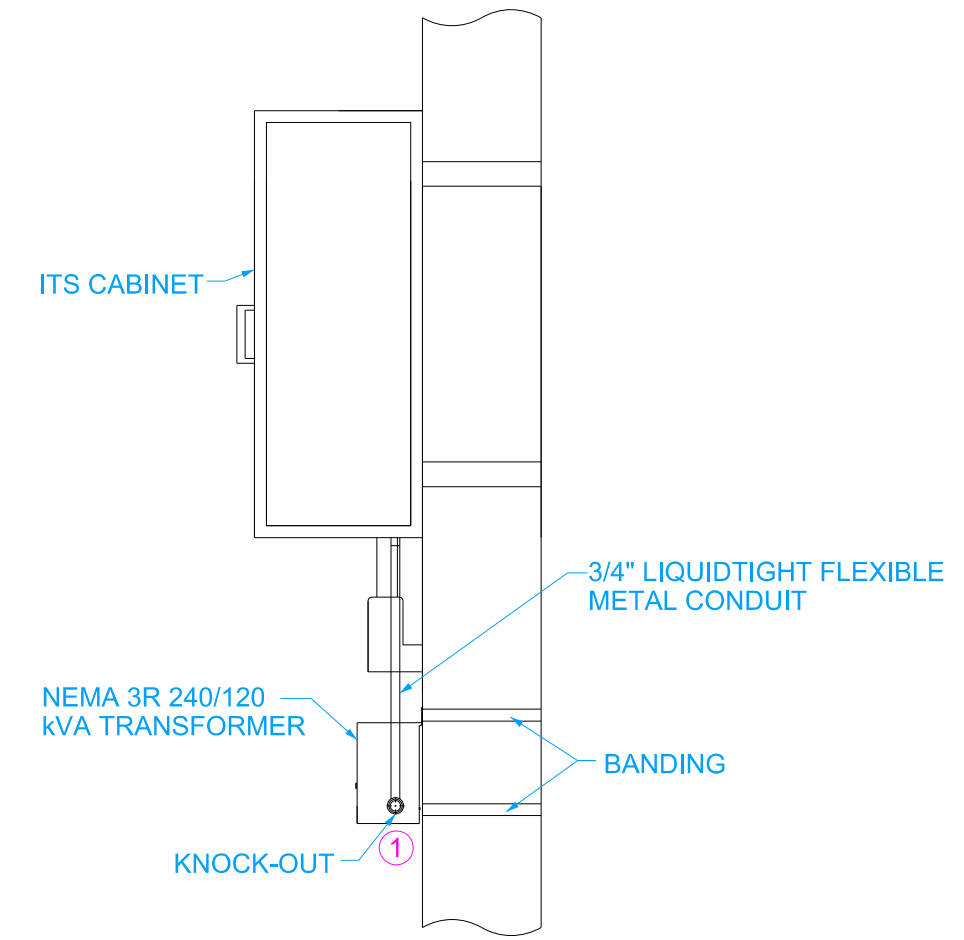


① TRANSFORMER MOUNTING IS ONLY WHEN SPECIFIED IN THE CONTRACT DOCUMENTS.



FRONT VIEW



SIDE VIEW

	REVISION
	New 04-18-2023
STANDARD ITS PLAN	ITS-301
REVISIONS: New.	SHEET 1 of 1
 APPROVED BY STATE ITS ENGINEER	
ITS CABINET MOUNTING	