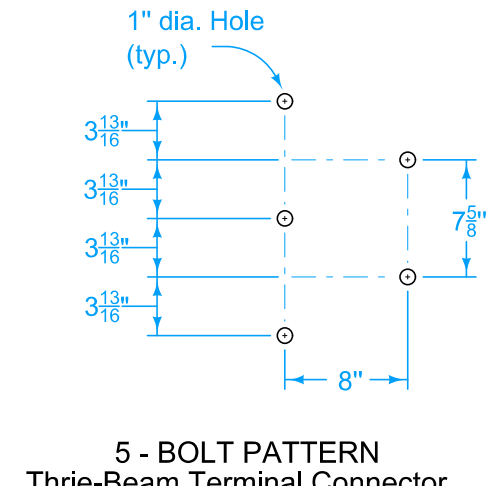


- ① See BA-201.
- ② BTS post # 14 BA-201. BTS post #5 BA-221.
- ③ Lap the Terminal Connector on the outside of the nested thrie beam rails for attachments on the trailing end of a bridge.

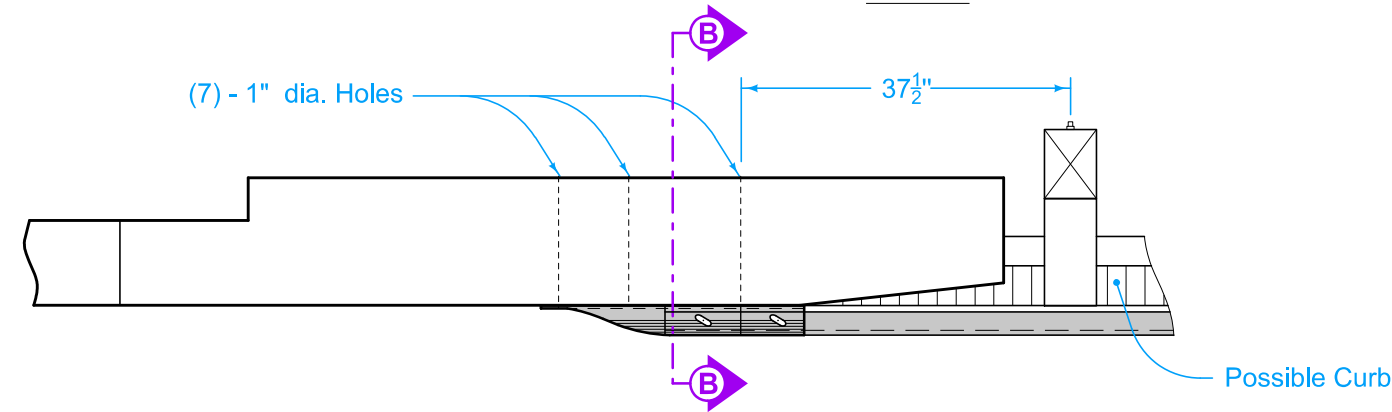
Possible Contract Item:
Steel Beam Guardrail End Anchor, Bolted

Materials included in the Contract Item:
Thrie-Beam Terminal Connector
Approved $\frac{7}{8}$ " x sufficient length Hex Bolts
Approved $\frac{7}{8}$ " Hex Nuts
Approved $\frac{15}{16}$ " Washers

 STANDARD ROAD PLAN	REVISION	
	6	4-15-25
BA-202		
SHEET 1 of 4		
REVISIONS: Added 32" mounting height to Type 'D'.		
 APPROVED BY DESIGN METHODS ENGINEER		
STEEL BEAM GUARDRAIL BOLTED END ANCHOR		

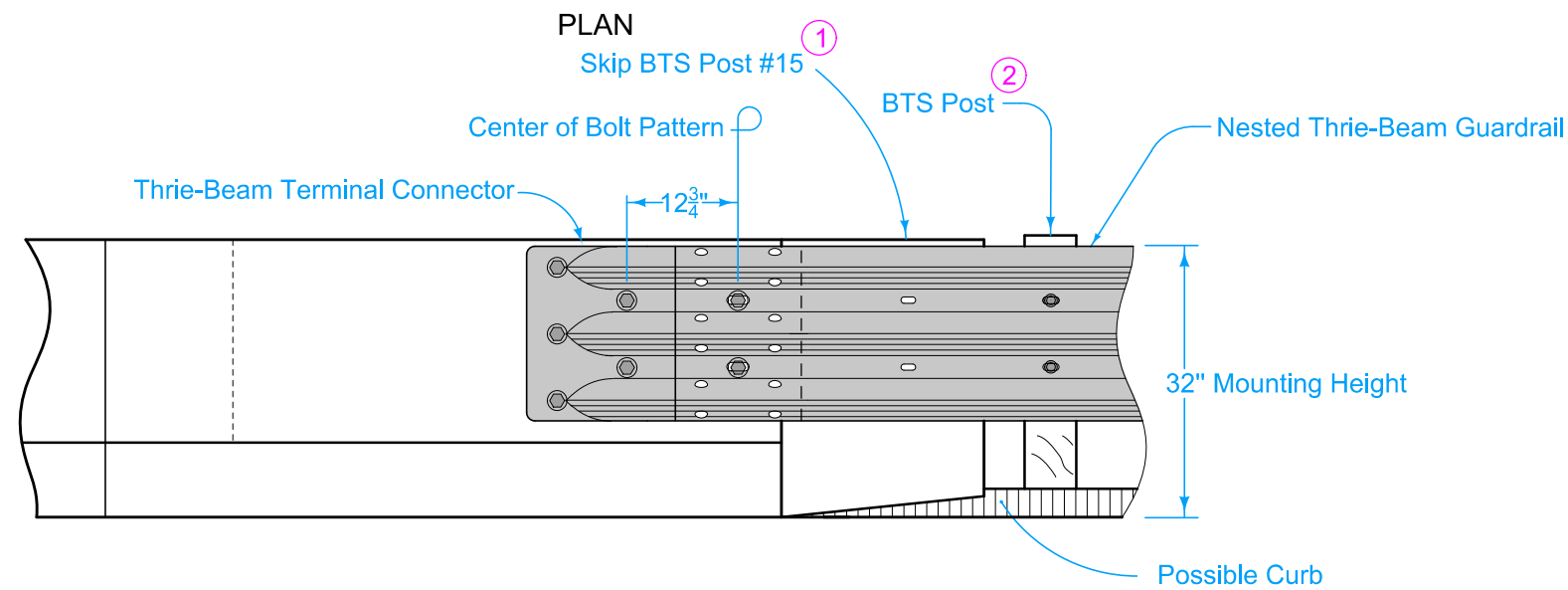


TYPE B

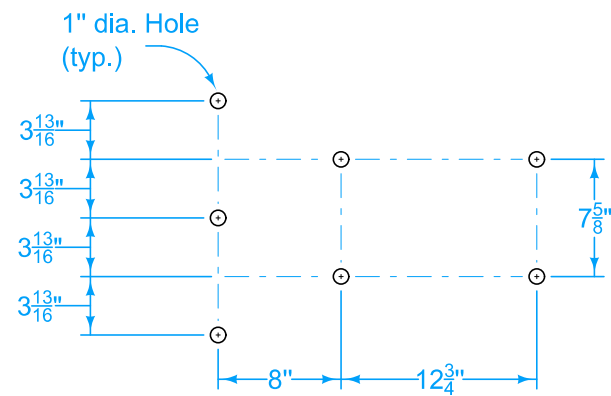


- ① See BA-201.
- ② BTS post # 14 BA-201. BTS post #5 BA-221.

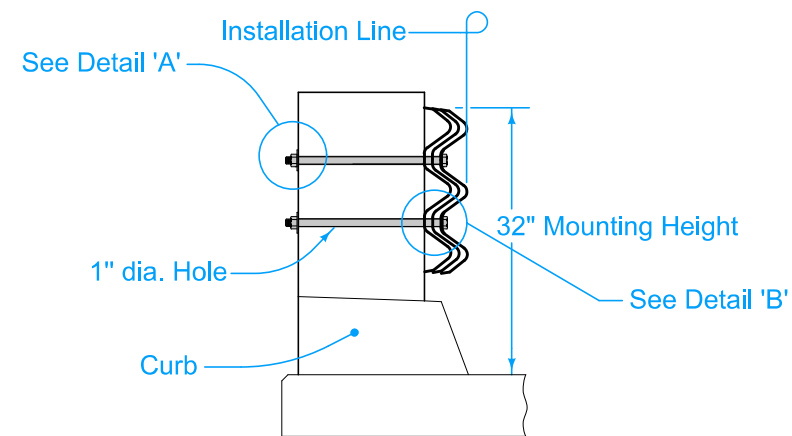
PLAN



ELEVATION



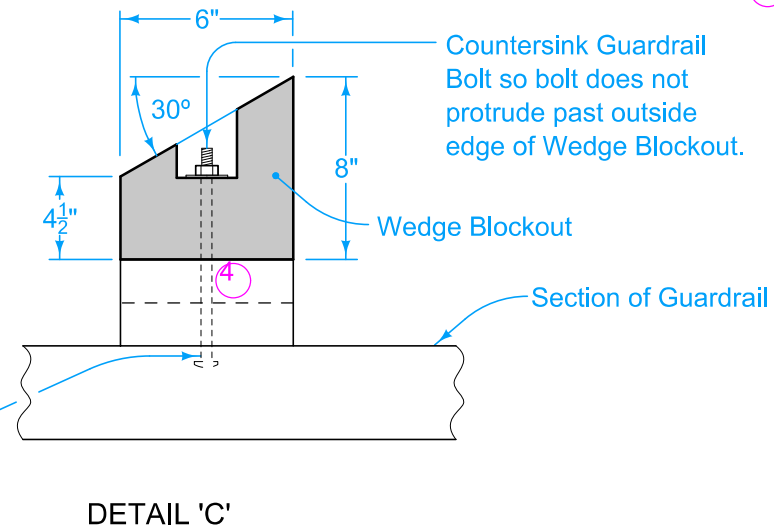
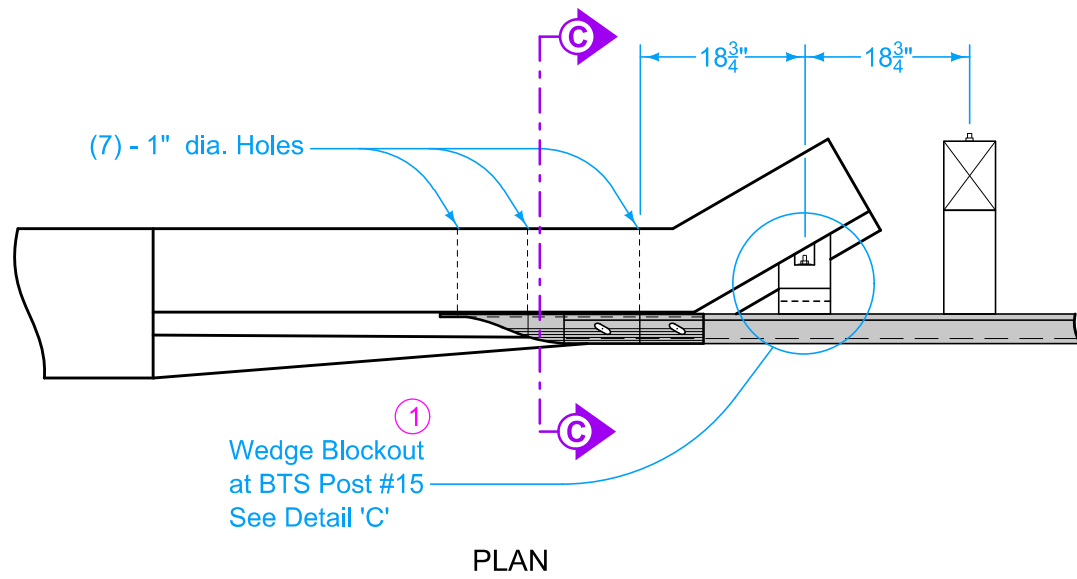
7 - BOLT PATTERN
Thrie - Beam Terminal Connector



SECTION B-B

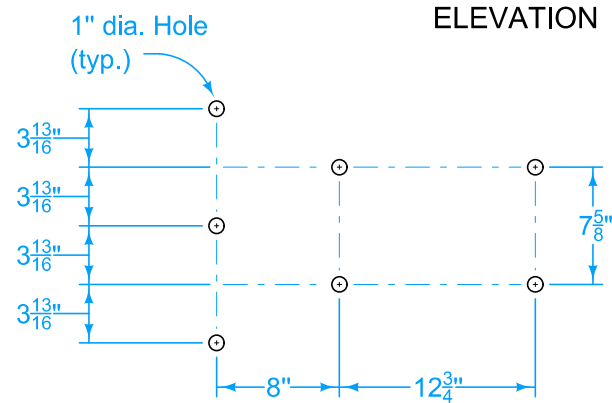
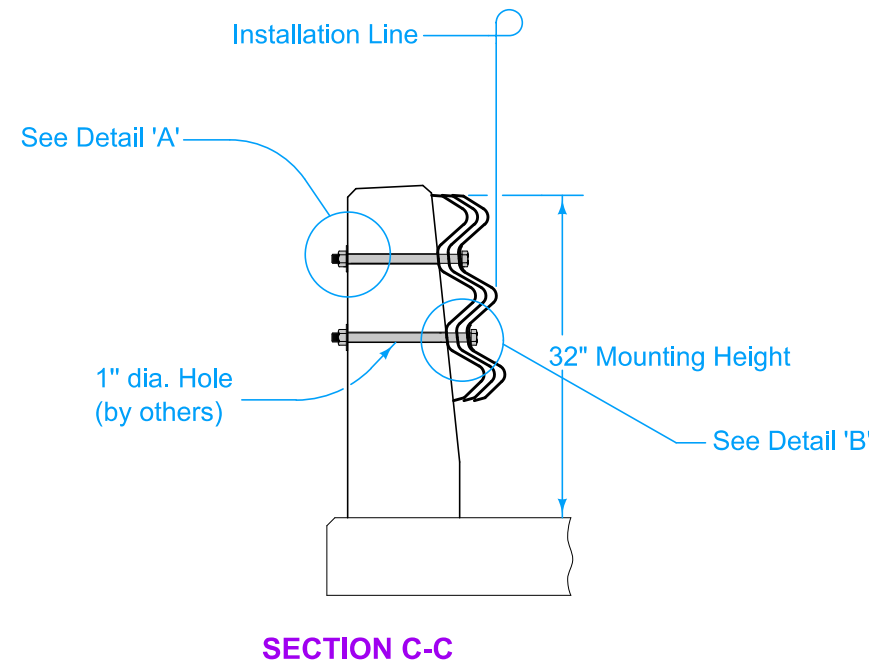
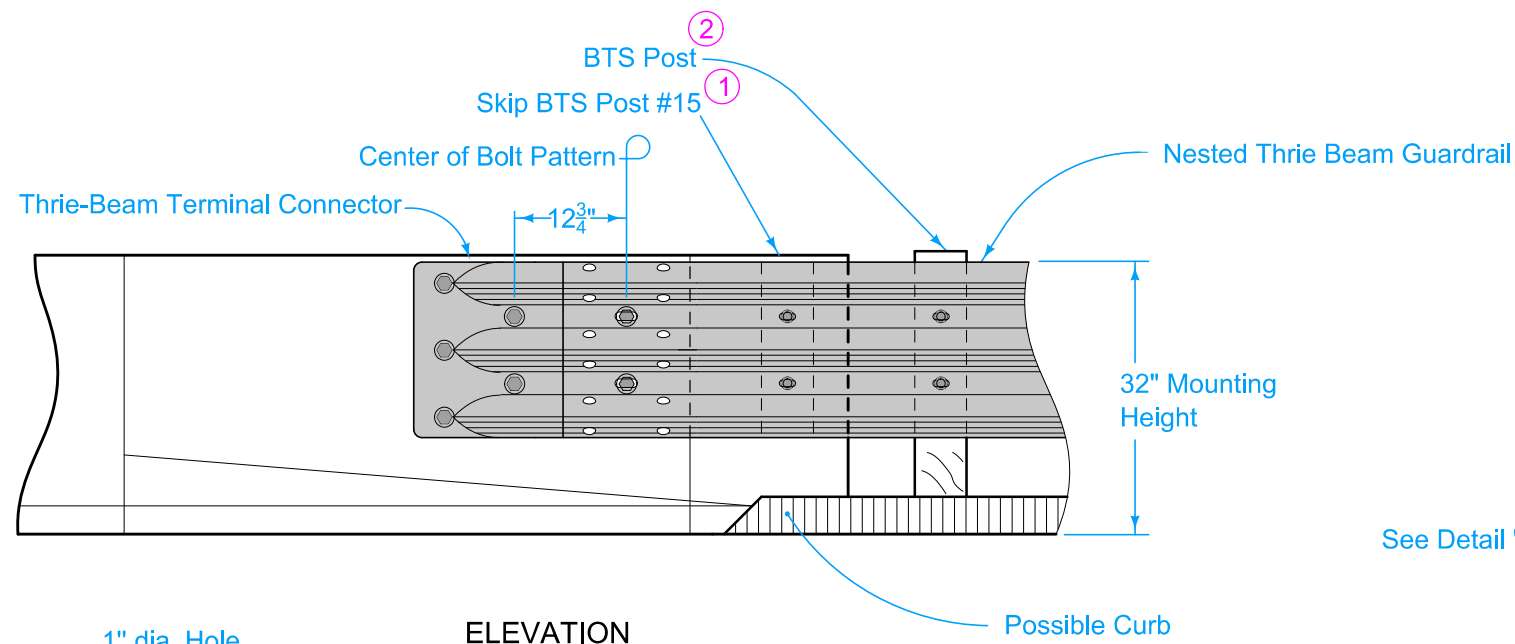
	REVISION	
	6	4-15-25
STANDARD ROAD PLAN		BA-202
REVISIONS: Added 32" mounting height to Type 'D'.		SHEET 2 of 4
 APPROVED BY DESIGN METHODS ENGINEER		
STEEL BEAM GUARDRAIL BOLTED END ANCHOR		

TYPE C



(2) Approximately 6" long Guardrail Bolts

- ① See BA-201.
- ② BTS post # 14 BA-201. BTS post #5 BA-221.
- ④ Use treated spacer boards (1 in. x 6 in. or 2 in. x 6 in.) to produce a tight fit between the wedge blockout and endpost. A nominal 1 inch gap is acceptable. Spacer boards are incidental to bolted end anchor.



 IOWA DOT STANDARD ROAD PLAN	REVISION	
	6	4-15-25
BA-202		SHEET 3 of 4

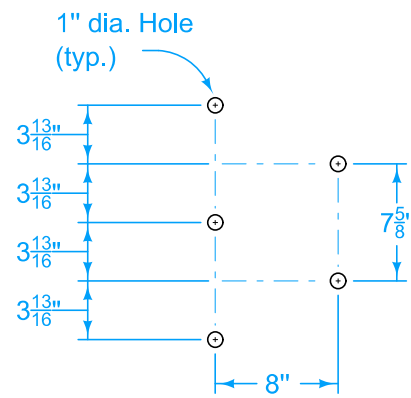
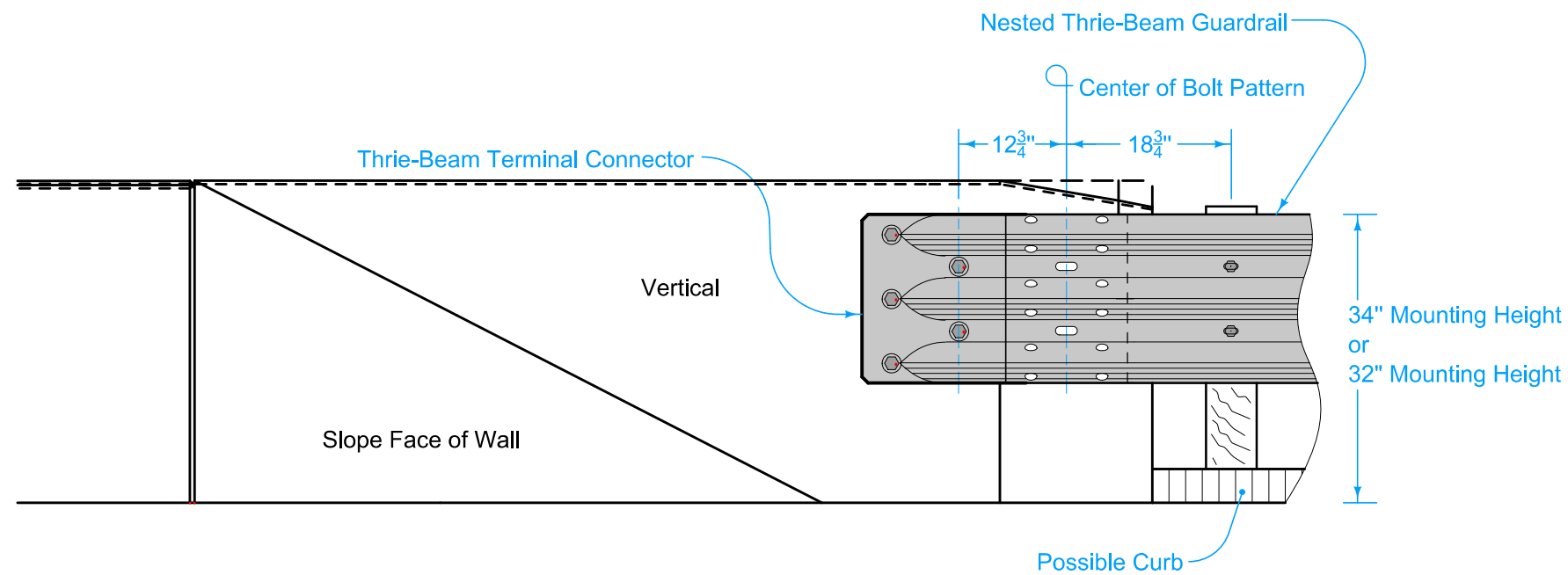
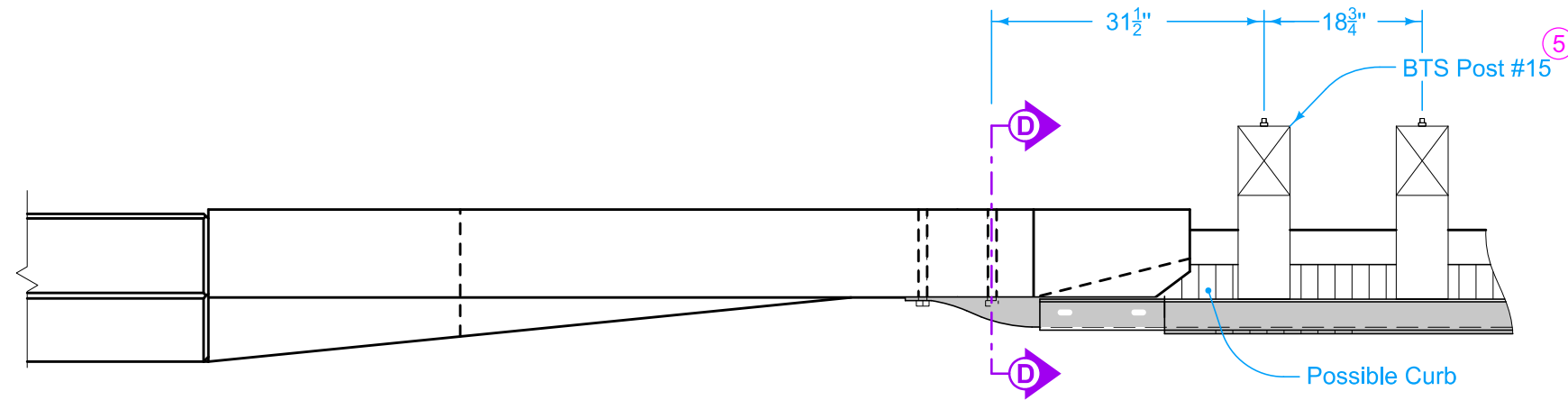
REVISIONS: Added 32" mounting height to Type 'D'.

Shawn Miller
APPROVED BY DESIGN METHODS ENGINEER

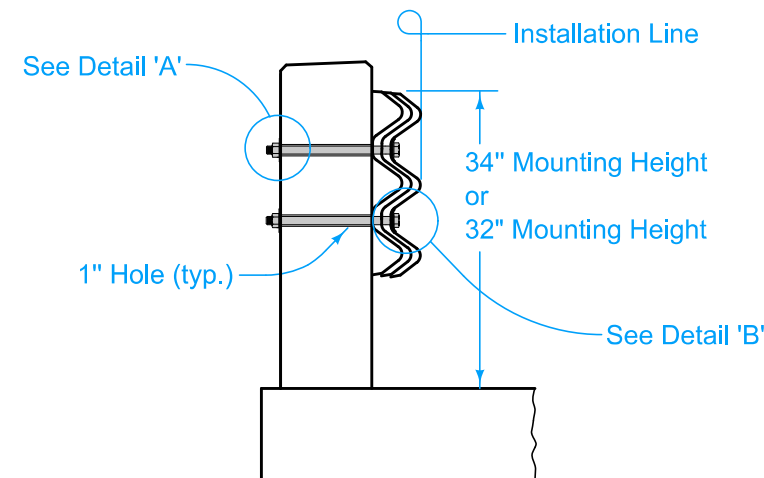
**STEEL BEAM GUARDRAIL
BOLTED END ANCHOR**

TYPE D

⑤ See BA-209 for 34" mounting height. See BA-201 for 32" mounting height.



5 - BOLT PATTERN
Thrie-Beam Terminal Connector



SECTION D-D

	REVISION	
	6	4-15-25
STANDARD ROAD PLAN		BA-202
		SHEET 4 of 4

REVISIONS: Added 32" mounting height to Type 'D'.

Steve Miller
APPROVED BY DESIGN METHODS ENGINEER

**STEEL BEAM GUARDRAIL
BOLTED END ANCHOR**