



# Iowa Department of Transportation

Office of Bridges and Structures

800 Lincoln Way

(515)-233-7924

Ames, IA 50010

Fax (515)-239-1978

Letter of Transmittal

July 15, 2013

ID No	1240
-------	------

To: HI-WAY PRODUCTS, INC.  
 P.O. BOX 278  
 IDA GROVE, IA 51445

Design No.	113	Station	
File No.	30484	Section	
Job No.			
County	CASS		
Project	BRF-092-2(36)--38-15		
Project			
Location			

We are sending you

Attached       Under Separate Cover

- Plans
- Prints
- Shop Drawings
- Falsework Plans

No Exceptions Taken	Make Corrections Noted *	Amend and Resubmit	Rejected - See Remarks
1.	2.	3.	4.
	X		

Item	Copies	Sheets	Description
1	1	2	DECK DRAINS AND STEEL CHANNEL DIAPHRAGM

\* No Resubmittal Necessary

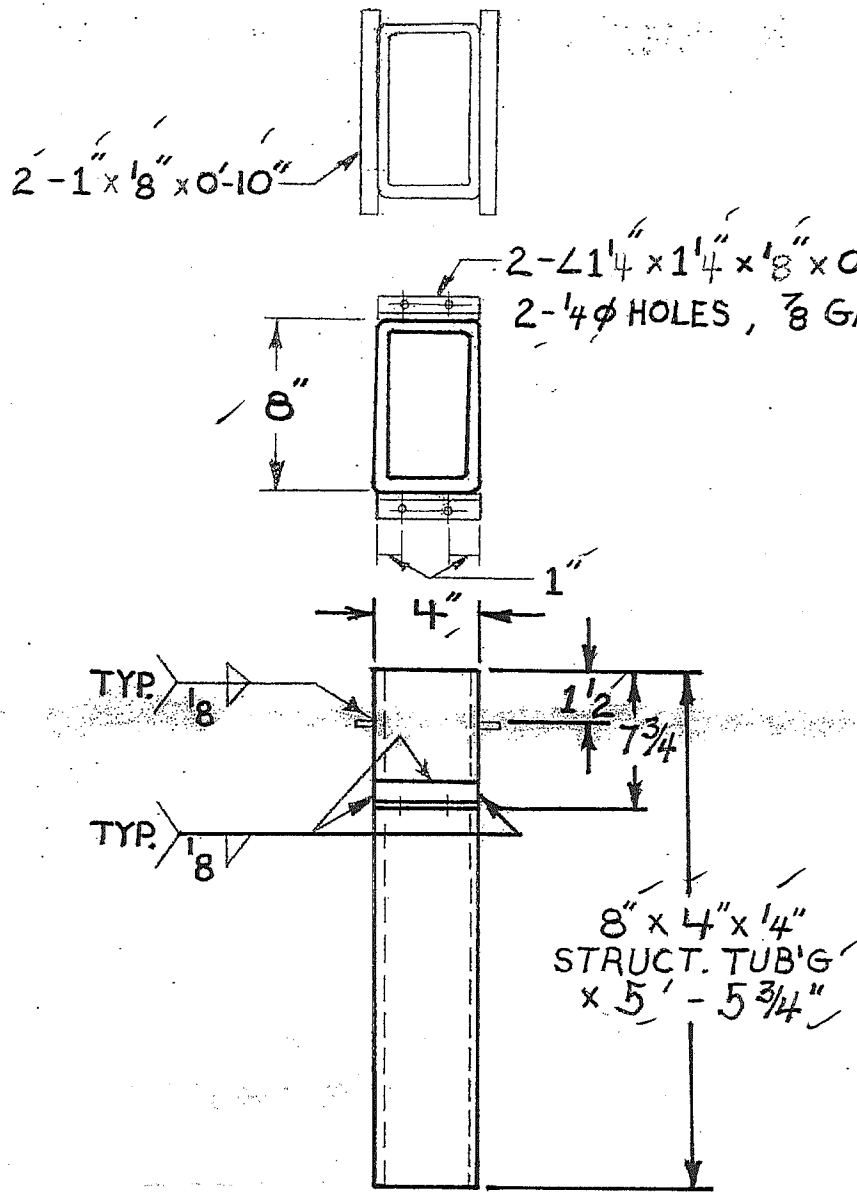
Remarks:

Signed *Brett Kloss*

\_\_\_\_\_  
 Brett Kloss  
 Office of Bridges and Structures

Cc:

- S. MOUSSALLI-CENTRAL MATERIALS (2 COPIES)
- HERBERGER CONSTRUCTION CO., INC.
- OFFICE COPY
- D. REDMOND-DISTRICT 4 MATERIALS
- S. NIXON-CRESTON RCE



MATERIAL

TUBING - A500 GR.B

BAR - A36

GALVANIZE

HOT DIP PER IOWA SPEC. 4100.07 PAR.F  
AFTER FAB.

8 - FLOOR DRAINS REQUIRED

REVIEWED BY OFFICE OF BRIDGES AND STRUCTURES  
 IOWA DEPARTMENT OF TRANSPORTATION  
 Reviewed in accordance with current policy  
 July 12, 2013  
 NO EXCEPTIONS TAKEN  
 MAKE CORRECTIONS NOTED (NO RESUBMITTAL NEC.)  
 AMEND AND RESUBMIT

This review is for strength and arrangement of component parts. Any deviation from the plans or specifications not clearly noted by the Contractor has not been reviewed. Review by the Engineer shall not serve to relieve the Contractor of the contractual responsibility or any error or deviation from the contract requirements.

PROJECT: BRF-092-2(36)--38-15  
 COUNTY: CASS DESIGN: 113

<b>FLOOR DRAIN DETAILS</b>		
SCALE: <u>NONE</u>	APPROVED BY:	DRAWN BY: <u>FMC</u>
DATE: <u>5-6-13</u>		REVISED:
CONTRACTOR: <u>HERBERGER CONST. Co., INC.</u>		
HAWKEYE FABRICATION, INC.		DRAWING NO. <u>1 OF 2</u>

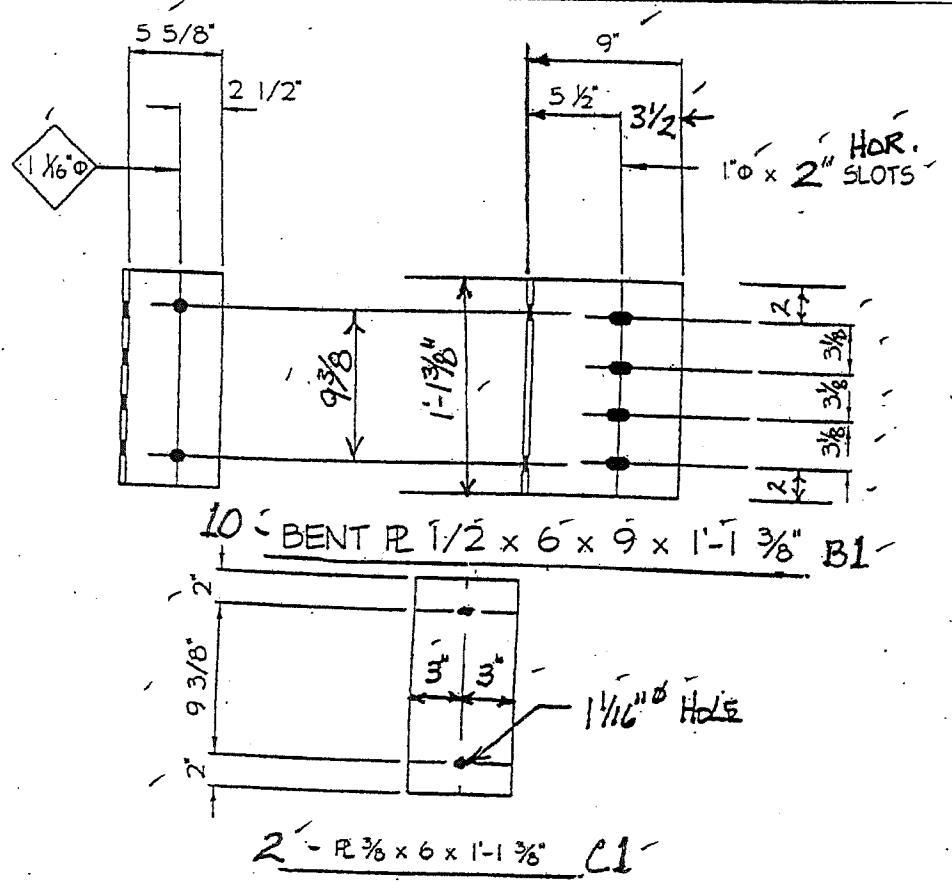
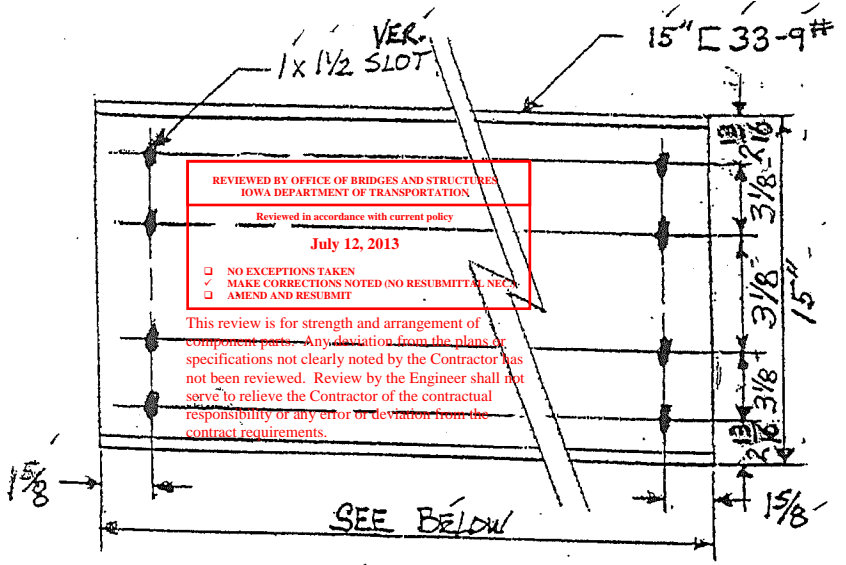
HI-WAY PRODUCTS, INC. P.O.# 28793

HERBERGER CONSTRUCTION, INC.  
P.O. BOX 326  
INDIANOLA, IA 50125

- APPROVED
- APPROVED AS NOTED
- NOT APPROVED
- RETURNED FOR CORRECTIONS
- RESUBMIT

DATE 7/9/13

CHECKED BY: CMO



5 - CHANNELS - 6'-10 1/8" A1

CHANNEL IS FABRICATED BY:  
HAWKEYE FABRCATION, INC.  
Nuts - ASTM A563 Grade DH3

ERECTION NOTE: REFER TO DESIGN DRAWINGS FOR LOCATION

SHOP NOTE: HOT-DIP GALV. ALL MATL. AFTER FABRICATION

# STEEL CHANNEL DIAPHRAGM

PROJECT: BRF-092-2(36)--38-15

COUNTY: CASS DESIGN: 113

SCALE: NONE MATERIAL: ASTM A709 GR. 36 DRAWN BY: JMC

DATE: 5-6-13 PAINT: GALV.: ASTM A-123 REVISED:

CONTR: HERBERGER CONST. CO., INC.

SHEET NO. 2 OF 2 SHEET

HI-WAY PRODUCTS INC.

PURCHASE ORDER 28793

No.	FIELD BOLTS:
40	7/8" φ x 2 3/4" (A325) GALV. BOLTS w/H.H. & HDNUT
64	7/8" φ F-436 GALV. WASHERS
80	1 1/16" φ GALV. STD. FLAT WASHER (2 1/2" O.D.)
* 12	7/8" φ x 10" (A449) GALV. BOLTS w/H.H. & HDNUT
* NOTE:	THREAD LENGTH: 3" MIN. + 4" MAX.
	GALV.: ASTM B 695, CLASS 50, TYPE 1

HERBERGER CONSTRUCTION, INC.  
P.O. BOX 326  
INDIANOLA, IA 50125

- APPROVED  
 APPROVED AS NOTED  
 NOT APPROVED  
 RETURNED FOR CORRECTIONS  
 RESUBMIT

DATE 7/9/13

CHECKED BY: [Signature]