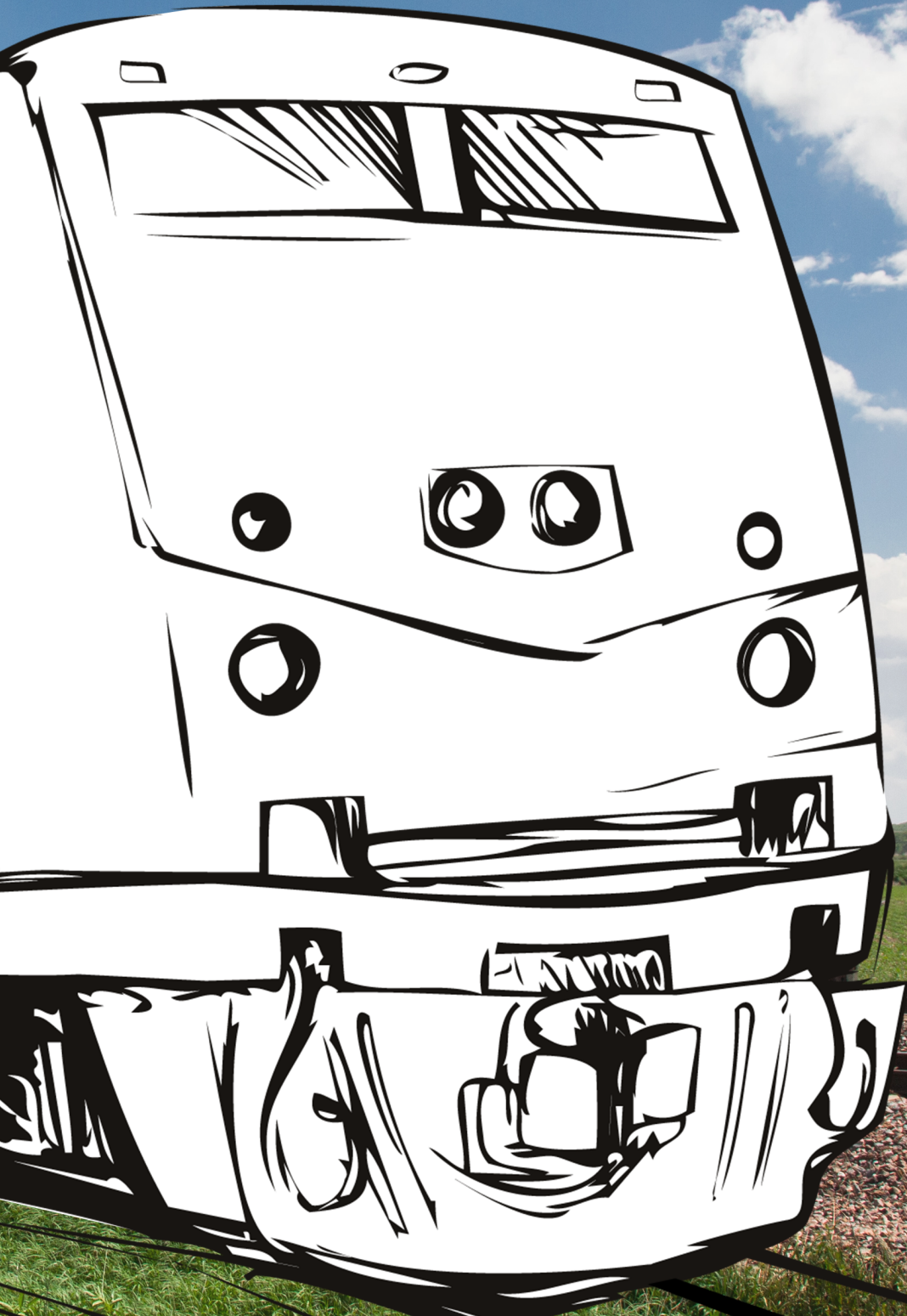
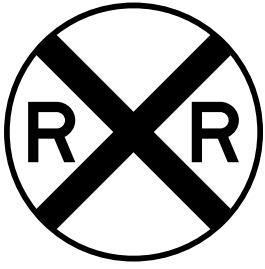


Iowa Railroad Activity Book



What do the signs mean?



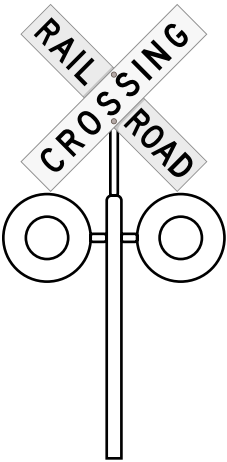
Advanced Warning Sign

Tells you that a railroad crosses at the road ahead. Watch and listen for trains and be prepared to stop.



Railroad Crossbuck Sign

Marks the place where a road crosses a railroad track. This sign tells you to look and listen for a train. If a train is coming, you must stop and let the train go by before crossing the tracks.



Railroad Crossbuck Sign

Marks the place where a road crosses a railroad track. This sign tells you to look and listen for a train. If a train is coming, you must stop and let the train go by before crossing the tracks.



Emergency Notification Sign

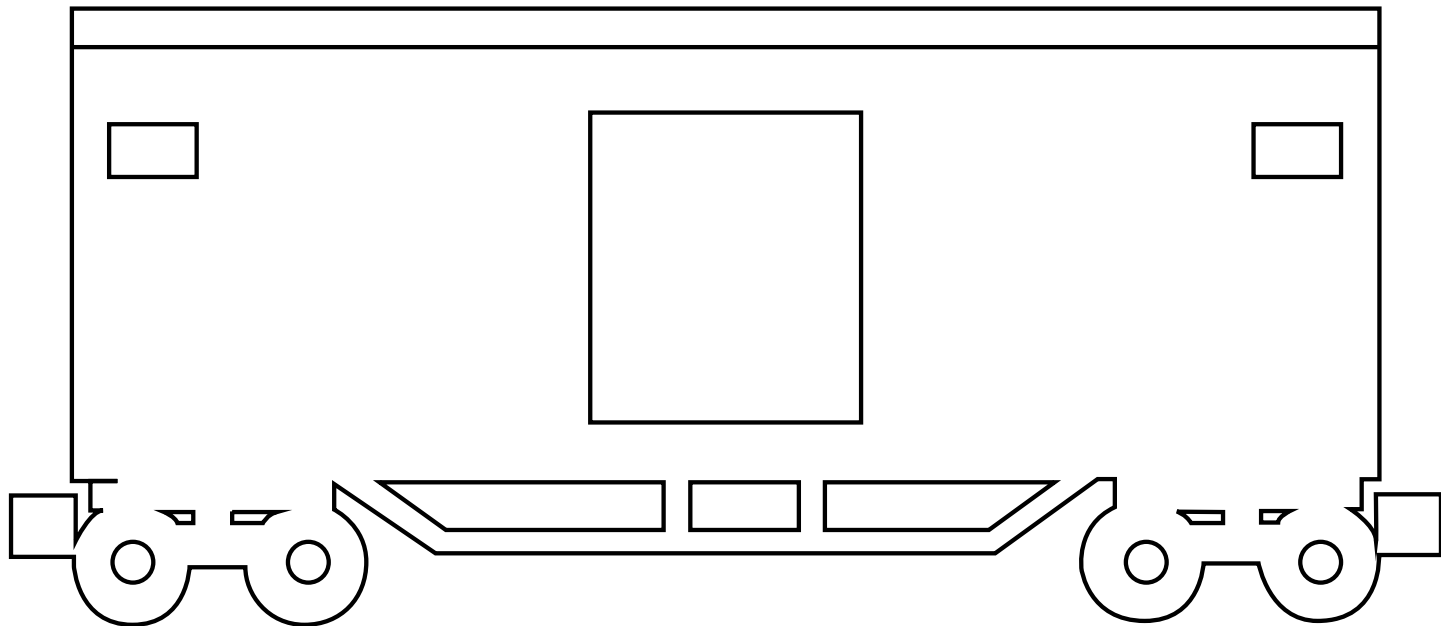
If there is an emergency, call the number on the sign.



A 100-car train takes over a mile to stop. To be safe, stay away from trains and off the tracks. YOU can stop quickly, but a TRAIN cannot.

This is a box car. Box cars carry many things like food, toys and clothes.

Can you fill the box car by drawing your favorite toys?

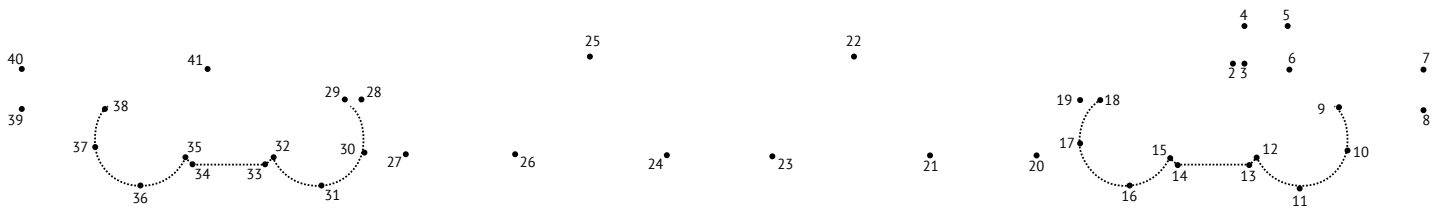
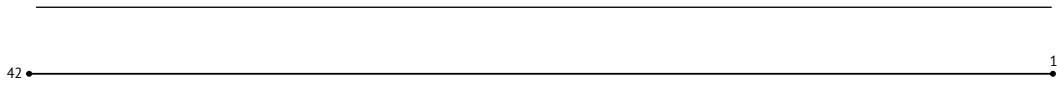


Refrigerated box cars are used to ship fruits, vegetables, and frozen food over a long distance without spoiling.



Do you know what type of rail car this is?

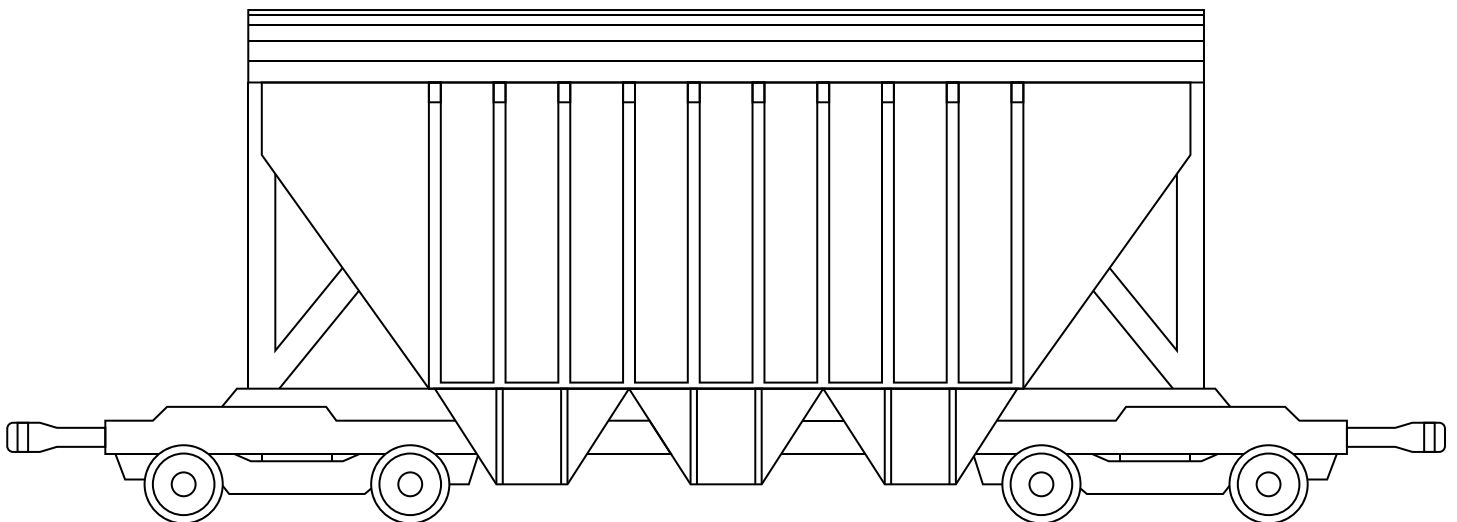
Connect the dots to draw a rail car that often carries coal or rocks.



Answer: Hopper Car

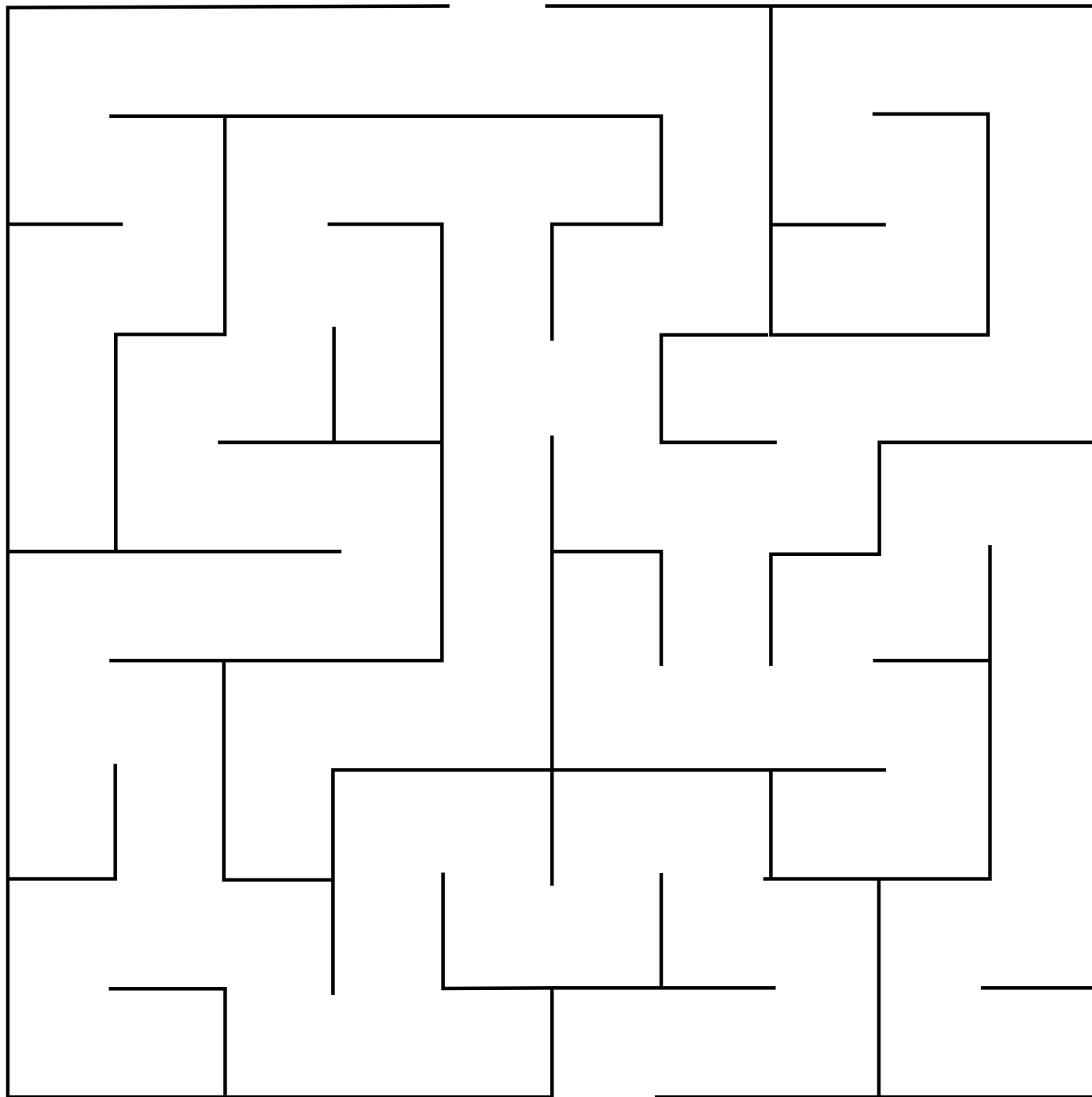
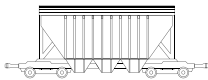


Hopper Cars can haul corn, grain, and soy beans grown in Iowa to other countries.



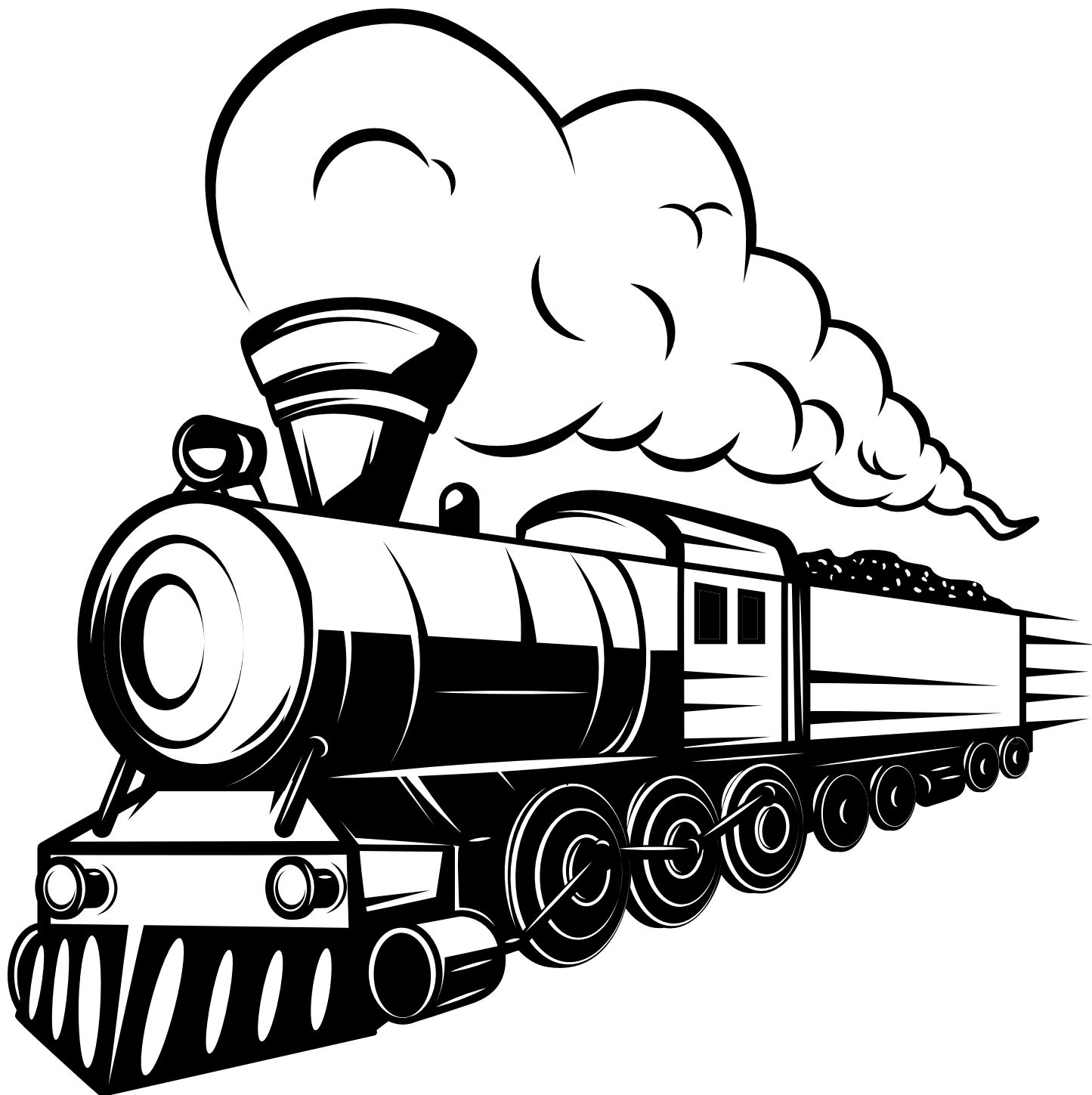
Maze Game

Help the hopper car return to its engine! *(Hint: The answers can be found in this activity book.)*



Locomotive

The locomotive provides the power to pull the train cars. The engineer drives the locomotive.



A 100-car train takes over a mile to stop. To be safe, stay far away from trains and off the tracks.

Iowa Railroad Word Find

E	L	O	H	D	W	F	E	G	N
N	V	P	U	T	R	A	C	K	S
I	K	I	T	H	G	I	E	R	F
G	T	P	T	U	Q	W	V	X	B
N	R	A	H	O	E	R	G	H	L
E	A	C	Z	I	M	U	H	I	W
M	I	N	B	V	S	O	A	D	T
G	N	I	S	S	O	R	C	E	K
C	A	B	O	O	S	E	A	O	O
N	M	O	A	S	I	G	N	A	L

Caboose

Crossing

Engine

Freight

Locomotive

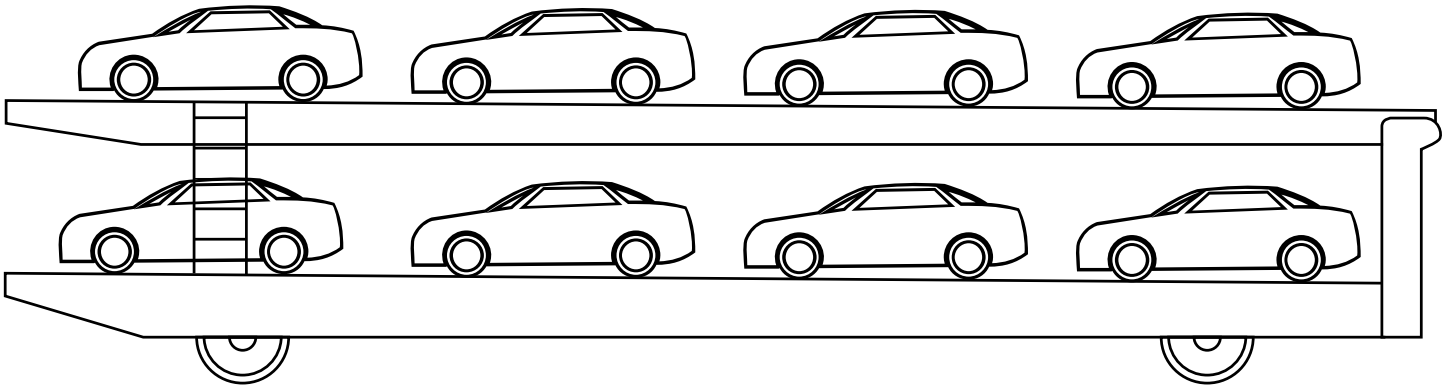
Rail

Signal

Tracks

Train

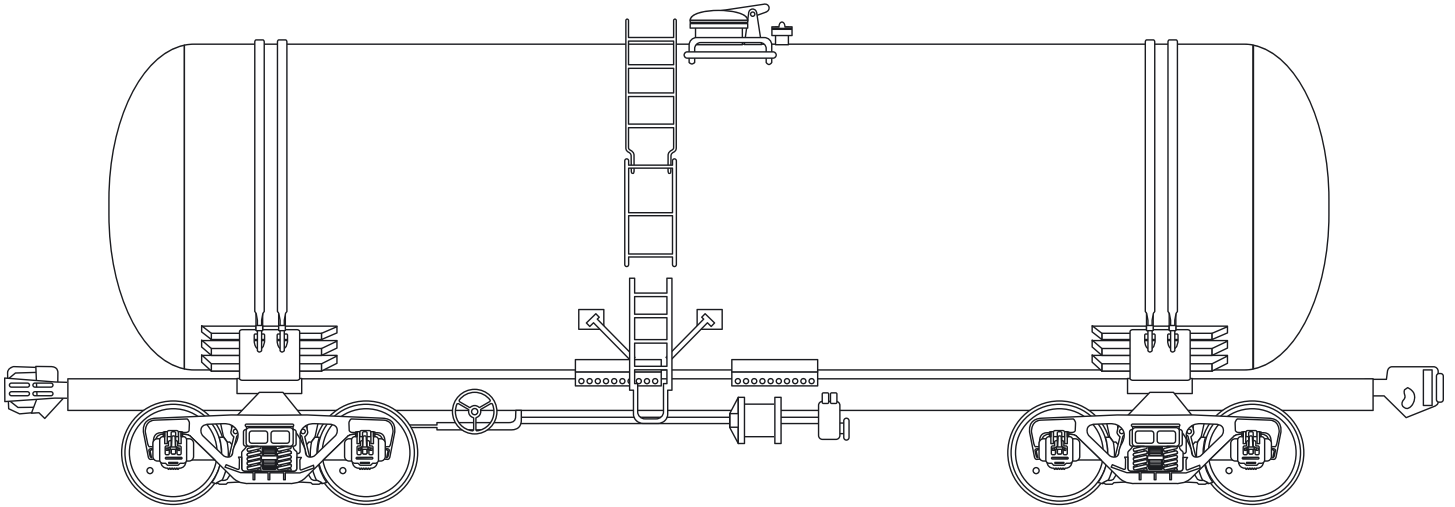
What is this flat railroad car carrying? _____



Answer: Cars

This railroad car is used to haul liquids.

This car is filled with a fuel called ethanol that is made from corn. Do you know what type of rail car this is?



1 railroad tanker can carry 31,000 gallons of fuel. This is as much as 5 semi trucks can carry.

Answer: Tanker Car



Answers

C R O S S I N G

13 15

F L A S H I N G

2 14

L I G H T

12

S I G N A L

3

C R O S S B U C K

9 5

T R A C K

1

H O R N

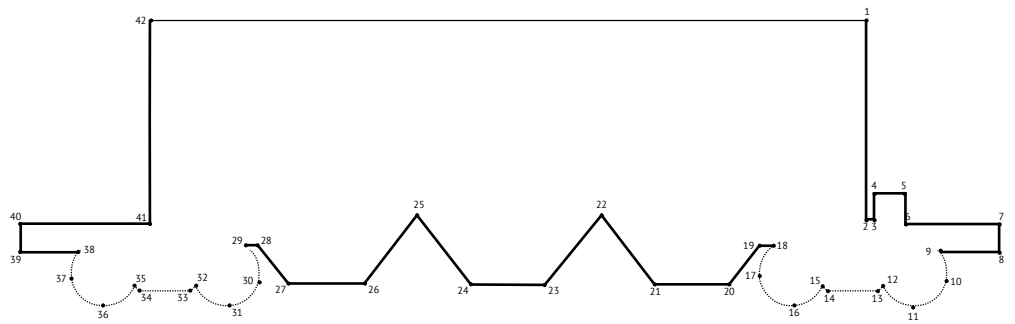
16

S A F E T Y

11 6 10 4

S P I K E

7 8



Secret Message

A L W A Y S

1 2 3 4 5

E X P E C T

6 7 8 9 10

A

11

T R A I N

12 13 14 15 16

