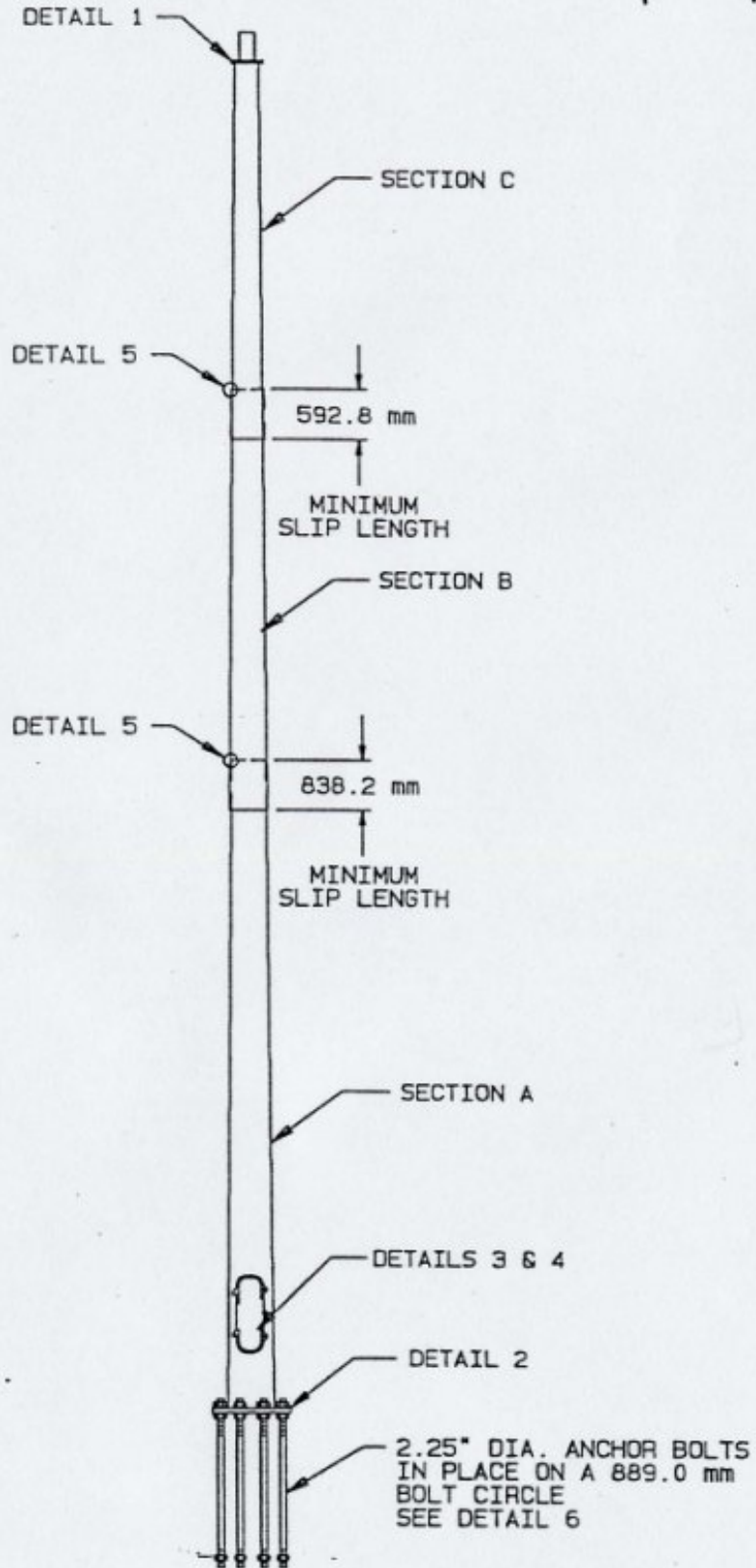


| POLE HEIGHT<br>(m) | TUBE    |               |              |            |                | POLE BASE                  |                      |         |
|--------------------|---------|---------------|--------------|------------|----------------|----------------------------|----------------------|---------|
|                    | SECTION | BASE DIAMETER | TOP DIAMETER | LENGTH (m) | GAUGE OR THICK | LENGTH X WIDTH             | BOLT CIRCLE DIAMETER | THICK   |
| 45.11              | A       | 723.9 mm      | 545.1 mm     | 15.32      | 7.95 mm        | 1041.4 mm<br>X<br>965.2 mm | 889.0 mm             | 44.4 mm |
|                    | B       | 571.5 mm      | 384.2 mm     | 16.03      | 6.35 mm        |                            |                      |         |
|                    | C       | 406.4 mm      | 222.8 mm     | 15.75      | 5.56 mm        |                            |                      |         |
|                    | A       |               |              |            |                |                            |                      |         |
|                    | B       |               |              |            |                |                            |                      |         |
|                    | C       |               |              |            |                |                            |                      |         |

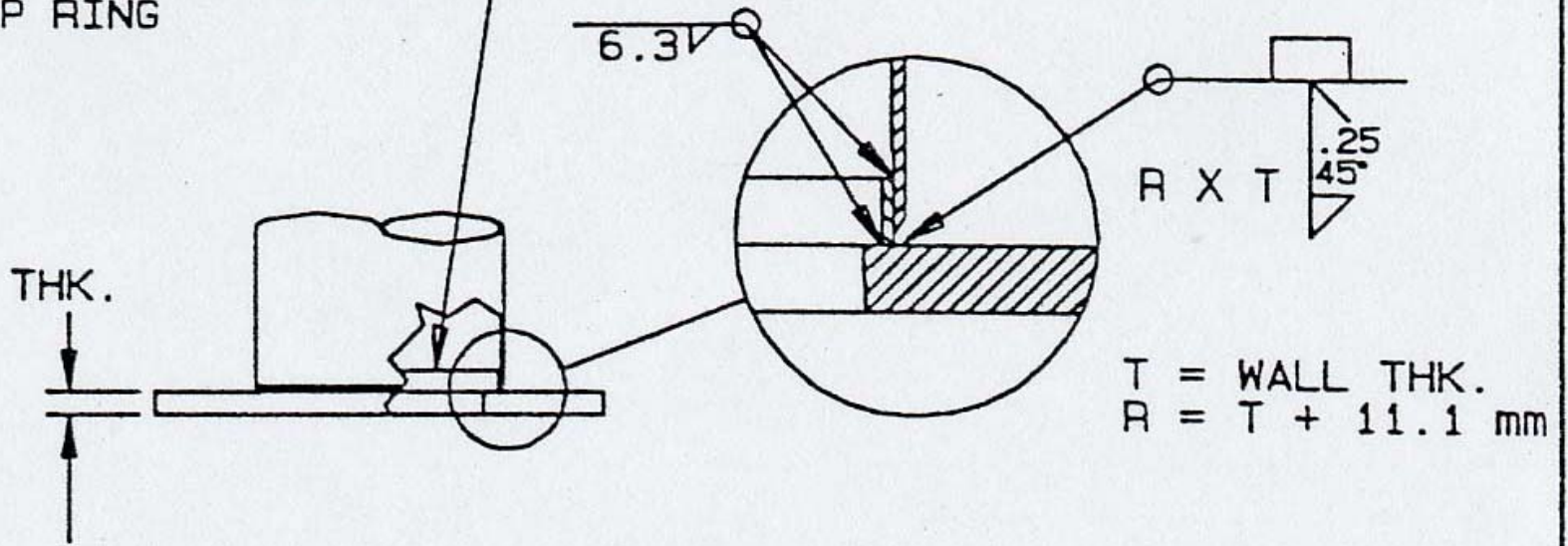
WIND GUST VELOCITY: 167.0 km/h  
TOTAL EPA: 1.40 SQ.M.  
TOTAL WEIGHT: 334.8 KG



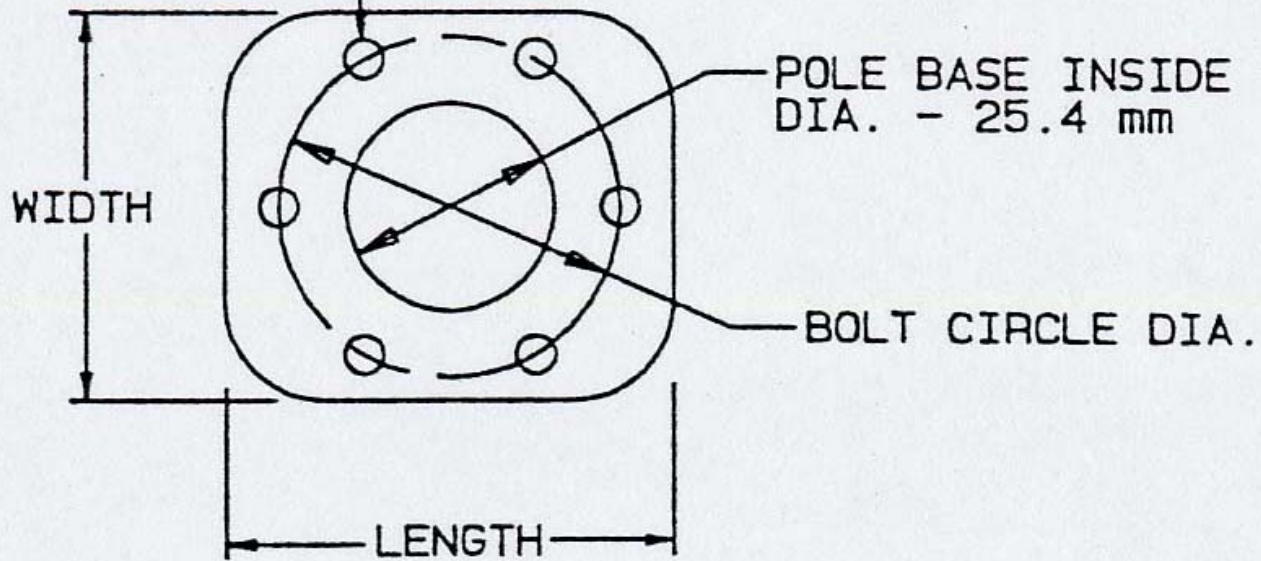
LOADING AND ALLOWABLE STRESS CRITERIA:  
1994 ASSHTO "STANDARD SPECIFICATIONS FOR  
STRUCTURAL SUPPORTS FOR HIGHWAY SIGNS,  
LUMINAIRES AND TRAFFIC SIGNALS".

MATERIAL DATA

6.3 mm THK. X 76.2 mm  
BACK-UP RING



HOLE DIA. = BOLT  
DIA. + 9.5 mm MAX.



DETAIL 2

POLE BASE